

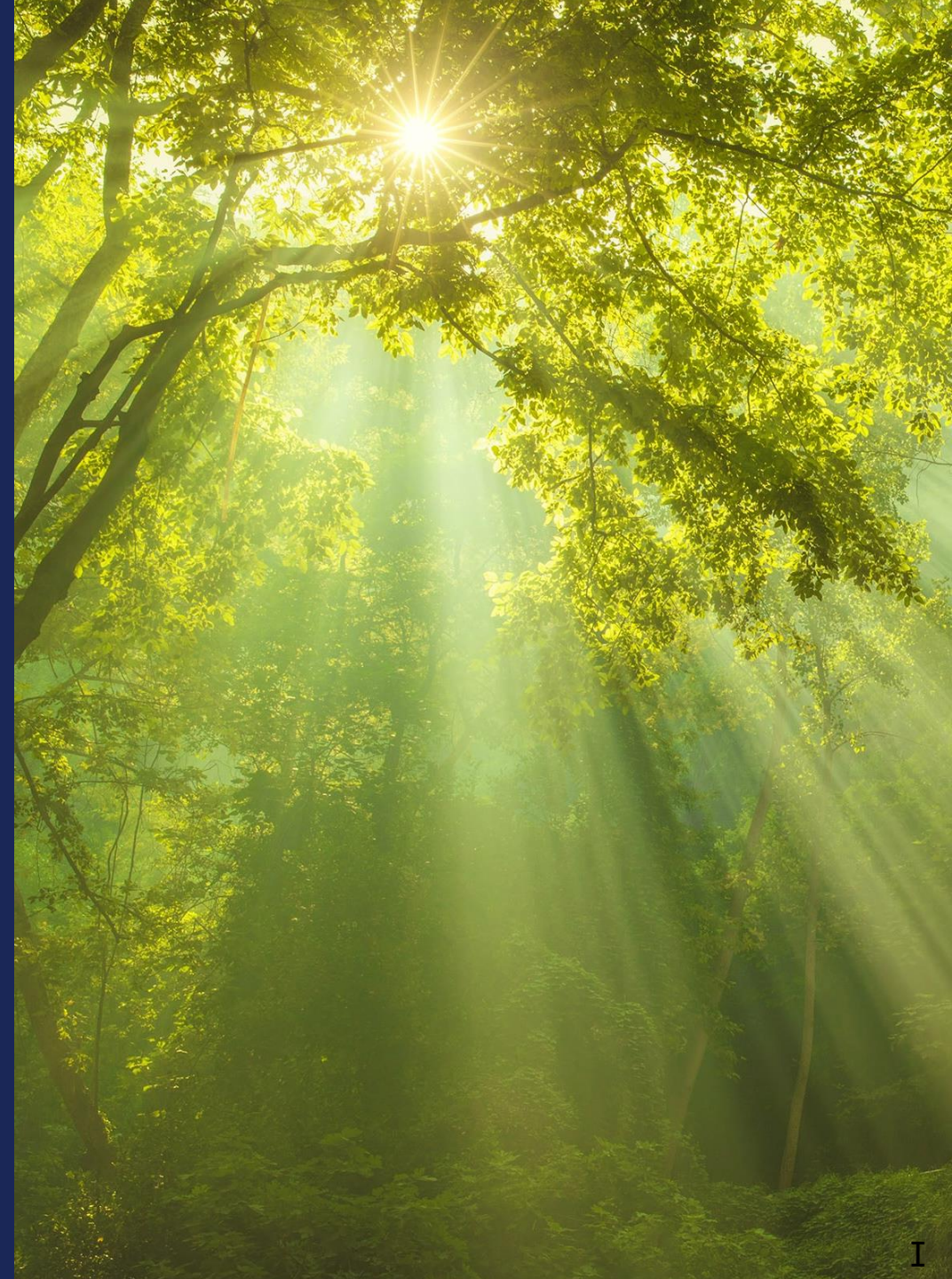
LOOK TO
RIGHT



NINGBO BY-DREAM
CATALOGUE



OBVIOUSLY
WE ARE YOUR
RIGHT CHOICE





Thank You!

For your long-term trust and support.

Room 1309, Building No.1, Shimao Maoyue Business Center,
Jiangbei District, Ningbo China. 315020

Tel: 86-574-87328730

Fax:86-574-87337219

www.bydream.trade

sale@bydream.trade

- 01 BALL VALVES
- 02 ANGLE VALVES
- 03 OTHER VALVES
- 04 BIBCOCKS
- 05 CIRCULATING AND PRESSURE CONTROL
- 06 WATER PURIFICATION

ENTS

CONT-

- 07 WATER/GAS PIPES AND TOOLS
- 08 CONNECTING FITTINGS
- 09 FAUCET AND TAPWARE
- 10 BATHROOM ACCESSORIES
- 11 GARDENING AND OUTDOOR
- 12 OTHERS

Valves





Brass Ball Valve Full Port F/F
20002-ALLR



Brass Ball Valve F/F
20102-ALBR



Brass Ball Valve F/F
20102-ALLR



Brass Ball Valve M/F
20103-ALBR



Brass Ball Valve M/F
20103-ALLR



Brass Ball Valve with Union
20104-ALBR



Brass Ball Valve PN25 F/F
20602-ALBB



Brass Ball Valve PN25 F/F
20602-IBLB



Brass Ball Valve PN25 M/F
20603-ALBR



Brass Ball Valve with Union PN30
20604-ALBR



Brass Ball Valve PN30 F/F
20612-ALBR



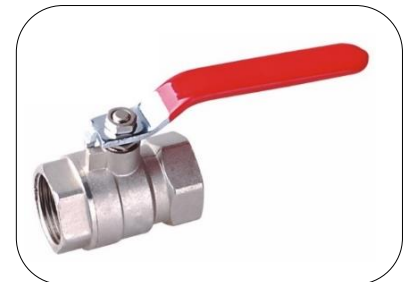
Brass Ball Valve PN30 M/F
20613-IBLB



Brass Ball Valve PN30 M/M
20615-IBLB



Brass Ball Valve PN30
20616-ALBR



Brass Ball Valve BOSTON
20902-IBLR



**Brass Valve M/F
Brass Handle**
20703H



**Brass Valve M/F
Brass Handle**
20705H



**Brass Valve for GAS
Alu. Handle**
20913LH-ALBY



**Brass Valve for GAS M/F
Alu. Handle**
20914H-ALBY



**Brass Valve for GAS
Alu. Handle**
20915H-ALBY



**Brass Valve for GAS
Alu. Handle**
20918H-ALBY



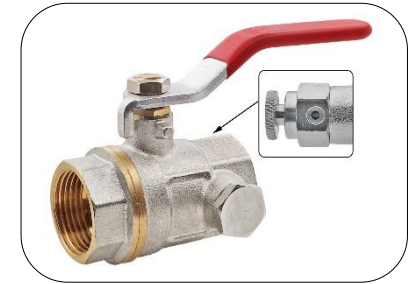
**Brass Valve for GAS F/F
Alu. Handle**
20942H-ALBY



**Brass Valve for GAS F/F
Alu. Handle, Nickel Finish**
20942N-ALBY



**Brass Valve for GAS F/F
Zinc Handle, Nickel Finish**
20942N-ZBY



**Brass Ball Valve with Air Vent F/F
Iron Handle, Nickel Finish**
20960N-IBLR



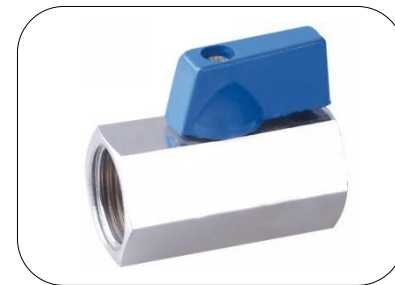
**Brass Solder Ball Valve PN30
Iron Handle**
21432H-IBLR



**Brass Valve for GAS F/F
Alu. Handle, Nickel Finish**
22202-ALBB ●
22202-ALBR ●



**Brass Emptying Valve
Alu. Handle, Nickel Finish**
22320N-ALSR



**Brass Mini Ball Valve F/F
Alu. Handle, Chromed**
22600C-ALSB ●
22600C-ALSR ●



**Brass Mini Ball Valve M/F
Alu. Handle, Chromed**
22601C-ALSB ●
22601C-ALSR ●



Brass Mini Ball Valve F/F
Alu. Handle, Chromed
22604C-ALSB



Brass Mini Ball Valve M/F
Alu. Handle, Chromed
22605C-ALSB



Brass Mini Ball Valve M/M
Alu. Handle, Nickel Finish
22614N-ALSB ●
22614N-ALSR ●



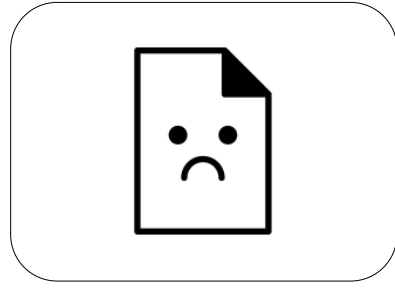
Brass Ball Valve F/F
Nylon Handle
22621H-PLLH



Brass Ball Valve F/F
Alu. Handle, 1-1/2"~2"
22621H-ALLH



Brass Ball Valve M/F
Nylon Handle
22622H-PLLH



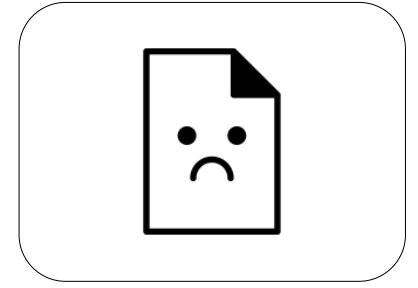
Brass Ball Valve M/F
Alu. Handle 1-1/2"~2"
22622H-ALLH



Brass Ball Valve
Nylon Handle
22672H-PLLH



Brass Valve for PEX-AL-PEX Pipe
Alu. Handle, Nickel Finish
22660-ALSB ●
22660-ALSR ●



Brass Valve for PEX-AL-PEX Pipe
Alu. Handle, Nickel Finish
22701N-ALSB ●
22701N-ALSR ●



Brass Valve for PEX-AL-PEX Pipe
Alu. Handle, Nickel Finish
22702N-ALSB ●
22702N-ALSR ●



Brass Valve with Temp. Gauge
Alu. Handle
26556B ●
26556R ●



**Brass Angle Valve, W/O Nuts
Zinc Alloy Handle, Chromed**
25500C-1



**Brass Angle Valve with Mini Valve
Zinc Alloy Handle, Chromed**
25501C-1



**Brass Angle Valve
ABS Handle, Chromed**
25503C-2



**Brass Angle Valve
ABS Handle, Chromed**
25504C-2



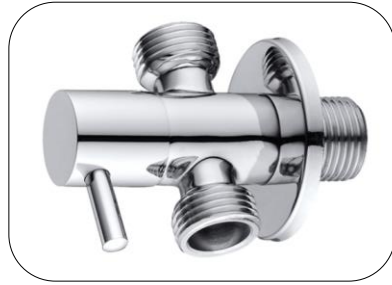
**Brass Angle Valve, W/O Nuts
ABS Handle, Chromed**
25505C



**Brass Angle Valve with Union
ABS Handle, Chromed**
25507C



**Brass Angle Valve
Zinc Alloy Handle, Chromed**
25511C



**Brass Angle Valve
Brass Handle, Chromed**
25512C



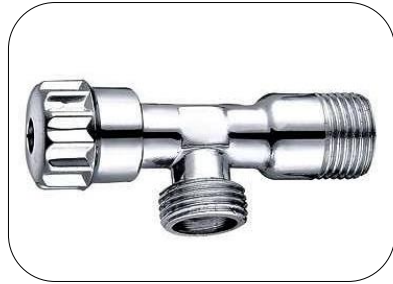
**Brass Angle Valve
ABS Handle, Chromed**
25523C



**Brass Angle Valve
ABS Handle, Chromed**
25525C



**Brass Angle Valve
ABS Handle, Chromed**
25527C



**Brass Angle Valve
ABS Handle, Chromed**
25542C-1



**Brass Angle Valve
Zinc Alloy Handle, Chromed**
25546C-2



**Brass Angle Valve
ABS Handle, Chromed**
25546C-4



**Brass Angle Valve
ABS Handle, Chromed**
25553C



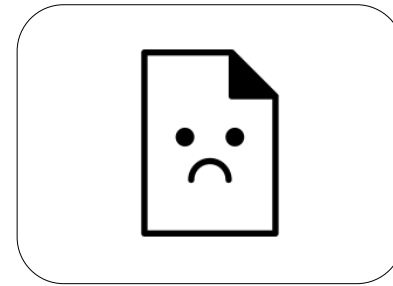
**Brass Angle Valve
Zinc Alloy Handle, Chromed**
25557C



**Brass Angle Valve
Zinc Alloy Handle, Chromed**
25558C



**Brass Angle Valve
ABS Handle, Sand & Chromed**
25559C



**Brass Angle Valve
ABS Handle, Chromed**
25560C



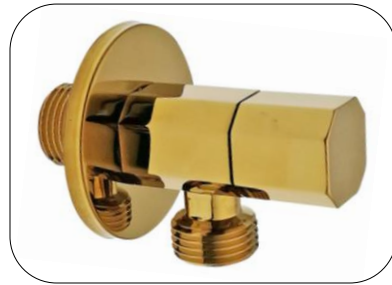
**Brass Angle Valve
Brass Handle, Chromed**
25603C



**Brass Angle Valve
ABS Handle, Chromed**
25610C



**Brass Angle Valve
Brass Handle, Matte Black**
25611B



**Brass Angle Valve
Brass Handle, Golden**
25611Y



**Brass Angle Valve
Brass Handle, Chromed**
25613C



**Brass Angle Valve
Brass Handle, Chromed**
25801C



**Brass Angle Valve
Brass Handle, Chromed**
25802C



**Brass Angle Valve
Plastic Handle, Chromed**
25804C



**Brass Angle Valve
ABS Handle, Chromed**
25805C



**Brass Angle Valve
ABS Handle, Chromed**
25805C-1



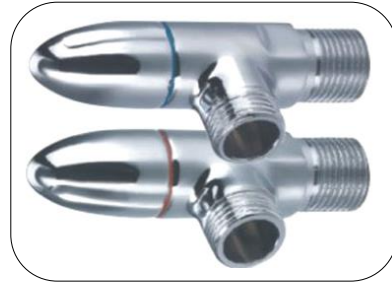
**Brass Angle Valve
Zinc Alloy Handle, Chromed**
25806C



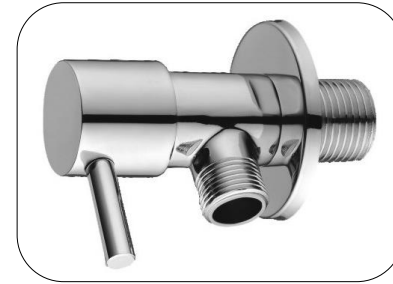
**Brass Angle Valve
ABS Handle, Chromed**
25904C



**Brass Angle Valve
Zinc Alloy Handle, Chromed**
25905C



**Brass Angle Valve
Zinc Alloy Handle, Chromed**
25906C



**Brass Angle Valve
Zinc Alloy Handle, Chromed**
25910C



**Brass Angle Valve
ABS Handle, Chromed**
25911C



**Brass Angle Valve
Zinc Alloy Handle, Chromed**
20907C

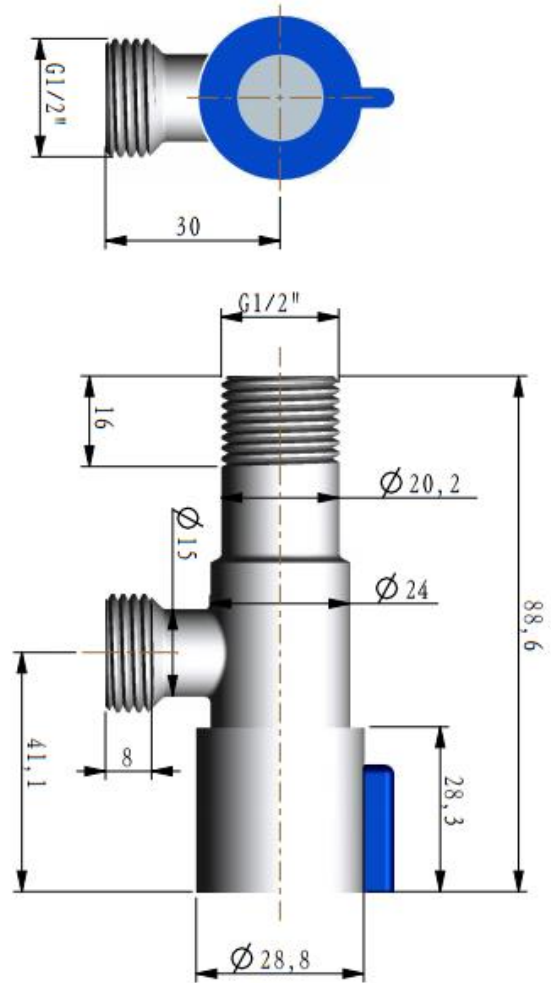
stainless steel angle valve

brass
cartridge

SUS
304

~~Rust~~

~~Lead~~





**Spring Check Valve
Plastic Spindle**
24300H



**Spring Check Valve
Plastic Spindle, SUS Net**
24310H



**Spring Check Valve
Brass Spindle**
24320H

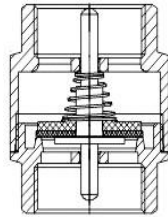


**Spring Check Valve
Brass Spindle, SUS Net**
24330H



**Bottom Valve
Brass Spindle**
24501H

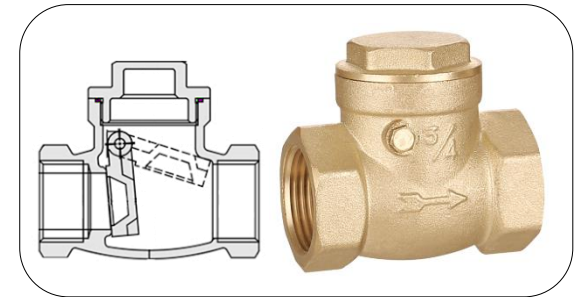
Type: Vertical
Nominal Pressure: $\leq 1.6\text{Mpa}$
Working Medium: water
Working Temperature: $0^{\circ}\text{C} \leq T \leq 90^{\circ}\text{C}$
Thread: BSP, NPT
Testing: 100% tested with 0.6MPa-0.8MPa by air



SIZE	1/2"	3/4"	1"	1-1/4"	1-1/2"	2"
DN	15	20	25	32	40	50



Material: Brass
Type: Horizontal
Nominal Pressure: $\leq 1.6\text{Mpa}$
Working Medium: Water
Working Temperature: $0^{\circ}\text{C} \leq T \leq 100^{\circ}\text{C}$
Thread: BSP, NPT
Testing: 100% tested with 0.6MPa-0.8MPa by air



Non-Return Swing Check Valve
24410H

SIZE	1/2"	3/4"	1"	1-1/4"	1-1/2"	2"	2-1/2"	3"	4"
DN	13	18	22	27	33	38	48	64	85



Brass Stop Valve
47051H



Brass Stop Valve
47052H



Brass Stop Valve
26630H



Brass Stop Valve, Chromed
26630C



Stop Valve, Nickel Finish
26631N



**Stop Valve, Nickel Finish
with Air Vent**
26633N



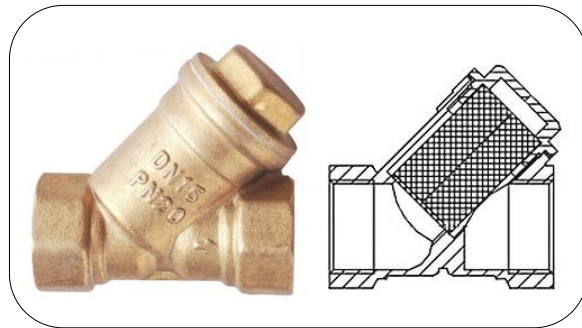
**Stop Valve, Nickel Finish
with Air Vent**
26634N



Stop Valve
26637H



PPR Stop Valve
P26004



Y-Shape Strainer
24600H

Body Material: Brass
 Filter Material: Stainless Steel 304
 Nominal Pressure: $\leq 1.6\text{Mpa}$
 Working Medium: Water
 Working Temperature: $0^{\circ}\text{C} \leq T \leq 100^{\circ}\text{C}$
 Thread: BSP, NPT
 Testing: 100% tested with 0.6MPa-0.8MPa by air

SIZE	1/2"	3/4"	1"	1-1/4"	1-1/2"	2"	2-1/2"	3"	4"
DN	15	20	25	32	40	50	65	80	100

Bibcocks





Brass Bibcock
Nickel Finish, Alu. Handle
46000N-ALLR



Zinc Alloy Bibcock
Nickel Finish, Iron Handle
46000ZN-IBLB



Brass Bibcock
Nickel Finish, Alu. Handle
46000N-ALBR



Brass Bibcock with Lock
Chromed, SUS Handle
46002C-SSLR



Brass Bibcock
Nickel Finish, Iron Handle
46006N-IBLB



Brass Bibcock with Lock
Chromed, Iron Handle
46007C-IBLB



Brass Bibcock
Chromed, Alu. Handle
46008C-ALBB



Brass Bibcock
Nickel Finish, Alu. Handle
46009N-ALLB



Brass Bibcock
Nickel Finish, Plastic Handle
46010N



Brass Bibcock
Plastic Handle
46010H



Brass Bibcock
Nickel Finish, Alu. Handle
46015N-ALLR



Brass Bibcock
Nickel Finish
46023N



Brass Bibcock
Nickel Finish, Iron Handle
46024N-IBLY



Brass Bibcock
Nickel Finish, Alu. Handle
46026N-ALLB



Brass Bibcock
Nickel Finish, Alu. Handle
46200N-ALLR



Brass Bibcock
47000H



Brass Bibcock Chromed
47000C



Brass Bibcock
47001H



Brass Bibcock Chromed
47001C



Brass Bibcock
47005H



Brass Bibcock Chromed
47005C



Brass Bibcock
47006H



Brass Bibcock
47033H



Brass Bibcock
47035H



Brass Bibcock Chromed
47037C



Brass Bibcock
47038H



Brass Bibcock Chromed
47038C



Brass Bibcock Chromed
47092C



Brass Bibcock Nickel Plated
47093N



Brass Bibcock Chromed
47540C



PVC Bibcock
PVC4700



**Brass Bibcock
for Water Boiler**
46101



**Plastic Bibcock
for Water Boiler**
46102

Circulating and Pressure Control





Body Material: iron

Surface: glossy red coating

Pre-Charged Pressure: 1.5~1.8 bar

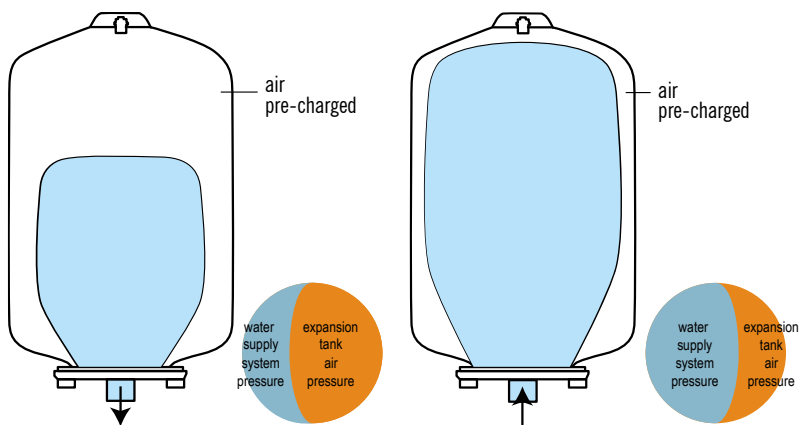
Working Temp.: natural rubber 0 ~ 60°C / EPDM -10 ~ 99°C

Flange Material: carbon steel stainless steel

Flange Size: G3/4" G1" NPT1"

Membrane: natural rubber 0 ~ 60°C

EPDM -10 ~ 99°C



Expansion Tank Vertical

PT-01

volume	type	max pressure
12L	vertical	<input type="checkbox"/> 6bar <input type="checkbox"/> 10bar
24L	vertical	<input type="checkbox"/> 6bar <input type="checkbox"/> 10bar



Expansion Tank Vertical

PT-02

volume	Type	Max pressure
8L	vertical	<input type="checkbox"/> 6bar <input type="checkbox"/> 10bar
19L	vertical	<input type="checkbox"/> 6bar <input type="checkbox"/> 10bar
24L	vertical	<input type="checkbox"/> 6bar <input type="checkbox"/> 10bar
36L	vertical	<input type="checkbox"/> 6bar <input type="checkbox"/> 10bar



Expansion Tank with Feet Vertical

PTV-02

volume	Type	Max pressure
35L	vertical	<input type="checkbox"/> 6bar <input type="checkbox"/> 10bar
36L	vertical	<input type="checkbox"/> 6bar <input type="checkbox"/> 10bar
50L	vertical	<input type="checkbox"/> 6bar <input type="checkbox"/> 10bar
100L	vertical	<input type="checkbox"/> 6bar <input type="checkbox"/> 10bar

CIRCULATION PUMP



Manometer Radial 1/4" G
89502



Manometer Axial 1/4" G
89503

Case Material: black-finished iron plastic

Pressure Element: brass

Operating Temperature: -20°C ~+70°C

Accuracy: 1.6% 2.5%

Size: 4bar 6bar 10bar 12bar 16bar



Brass 5-Way Connector
16100H

MODEL	POWER (W)	MAX HEAD (M)	MAX FLOW (L/MIN)	PUMP PORT
RS25/4G-180	72/53/38	48/36/18	4.5/4/3	1-1/2"
RS25/6G-180	93/67/46	55/38/22	6/5/3	1-1/2"
RS32/6G-180	93/67/46	55/38/22	6/5/3	2"



MODEL	POWER (W)	MAX HEAD (M)	MAX FLOW (L/MIN)	PUMP PORT
RS32/8G-180	270/210/150	160/103/43	8/7.5/6.5	2"


SWITCHES




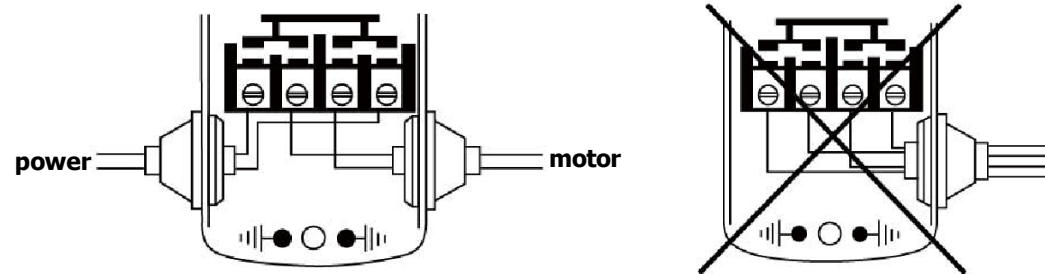
Pressure Switch
PS-01



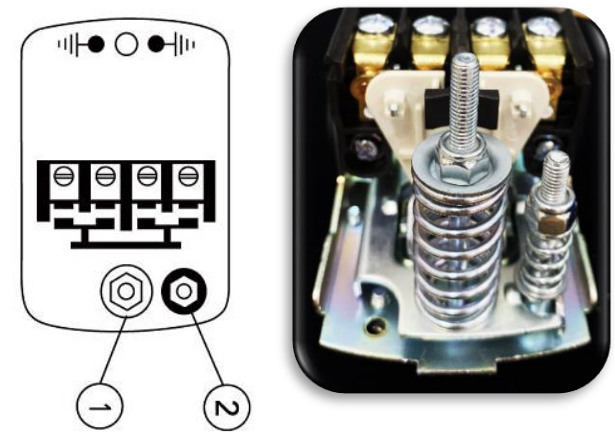
Pressure Switch
PS-02

Plastic Shell:	<input type="checkbox"/> PP <input type="checkbox"/> ABS <input type="checkbox"/> ABS flame retardant
Plastic Protection Case:	IP 44
Metal Base:	Iron ~ eco-friendly white/blue plated 
Contact Points:	Silver
Voltage / Frequency:	110/220V 50/60HZ
Max Current:	12A
Start/Close Pressure:	<input type="checkbox"/> 1.4-2.8bar <input type="checkbox"/> 2.1-3.5bar <input type="checkbox"/> 2.8-4.2bar <input type="checkbox"/> 4.9-4.7bar
Max Working Temperature:	50°C

Plastic Shell:	<input type="checkbox"/> PP <input type="checkbox"/> ABS
Plastic Protection Case:	IP 44
Metal Base:	<input type="checkbox"/> Iron ~ eco-friendly white/blue plated 
Contact Points:	Silver
Voltage / Frequency:	110/220V 50/60HZ
Max Current:	10A
Start/Close Pressure:	<input type="checkbox"/> 1.4-2.8bar <input type="checkbox"/> 2.1-3.5bar <input type="checkbox"/> 2.8-4.2bar
Max Working Temperature:	50°C



cut-out(shutdown) pressure regulation		
Nut2	tighten	increase pressure ↗ ↑
	loosen	decrease pressure ↘ ↓



cut-in(starting) & cut-out(shutdown) pressure regulation				
Nut1	tighten	increase ↑ pressure with a constant differential (e.g 2,8-1,4=differential 1,4bar)		
	loosen	decrease ↓ pressure with a constant differential (e.g 2,8-1,4=differential 1,4bar)		
Nut1	tighten	Nut2	loosen	increase ↑ cut-in pressure keep same cut-out pressure } with a varying differential
	loosen		tighten	

SWITCHES



Auto Pressure Control
WPC-01

- 1.Voltage: 220V
- 2.Max current: 10 (6) A
- 3.Frequency: 50/60HZ
- 4.Max power: 1.1KW
- 5.Thread: G1"
- 6.Starting pressure: 1.5bar
- 7.Max working pressure: 10bar
- 8.Max working temp.: 60°C



Auto Pressure Control
WPC-02

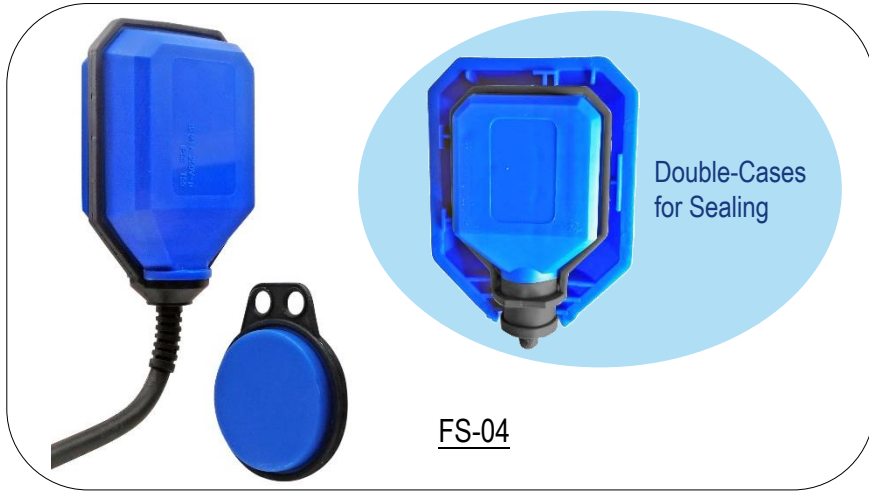
- 1.Voltage: 220V
- 2.Max current: 10 (6) A
- 3.Frequency: 50/60HZ
- 4.Max power: 1.1KW
- 5.Thread: G1"
- 6.Starting pressure: 1.5-2.2bar
- 7.Max working pressure: 10bar
- 8.Max working temp.: 60°C



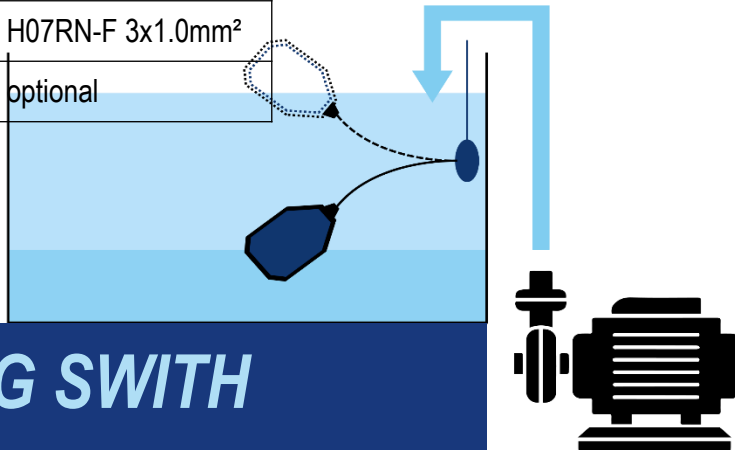
Auto Pressure Control
WPC-03

- 1.Voltage: 220V
- 2.Max current: 10 (6) A
- 3.Frequency: 50/60HZ
- 4.Max power: 1.1KW
- 5.Thread: G1"
- 6.Starting pressure: 1.5bar
- 7.Max working pressure: 10bar
- 8.Max working temp.: 60°C

TANK CONNECTOR



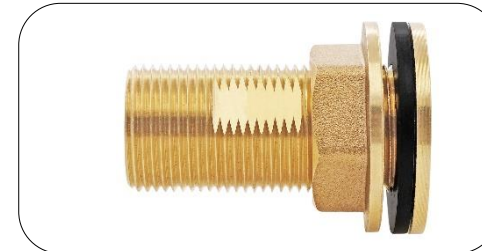
Power Supply	110-220V / 50-60Hz
Max. Power	1,5 KW
Max. Operational Temperature	55°C
Protection Grade	IP68
Inductive Load	4A
Max. Allowable Voltage	250VAC
Cable	H07RN-F 3x1.0mm ²
Cable Length	optional



FLOATING SWITCH



Outlet Fitting for Poly Water Tank
16026H



Outlet Fitting for Poly Water Tank
16029H



PRESSURE REGULATOR

Body Material:	Brass
Surface Finish:	<input type="checkbox"/> Brass color <input type="checkbox"/> Chromed
Locking Screw:	Adjustable
Applicable Medium:	Water sources
Medium Flow Direction:	Must follow arrow direction
Applicable Range Of Pressure Before Valve:	3 ~ 10bar
Adjustable Range Of Pressure After Valve:	0.5 ~ 6bar
Default Setting:	3bar
Suitable Working Temperature:	4 ~ 40°C
Size:	<input type="checkbox"/> 1/2"X1/2"X1/4" <input type="checkbox"/> 3/4"X3/4"X1/4"

Body Material:	Brass
Surface Finish:	<input type="checkbox"/> Brass color <input type="checkbox"/> Nickel Plated
Locking Screw:	Adjustable
Applicable Medium:	Water sources
Medium Flow Direction:	Must follow arrow direction
Nominal pressure:	PN 2.5MPa
Adjustable Range Of Pressure After Valve:	1 ~ 6bar
Default Setting:	3bar
Suitable Working Temperature:	0 ~ 100°C
Size:	<input type="checkbox"/> 1/2"X1/2"X1/4" <input type="checkbox"/> 3/4"X3/4"X1/4"



Water Pressure Regulator with Gauge

27402H ●
27402C ●



Water Pressure Regulator with Gauge & Filter

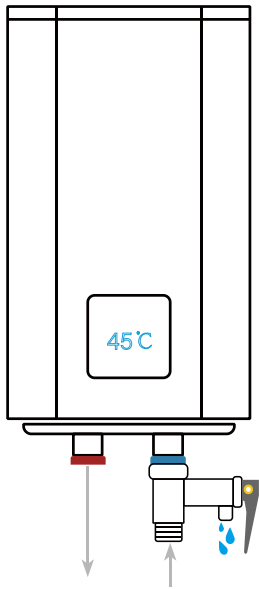
27418H ●
27418C ●



Water Pressure Regulator

27405H ●
27405N ●

SAFETY VALVE



Safety Valve Nickel Plated
27310N



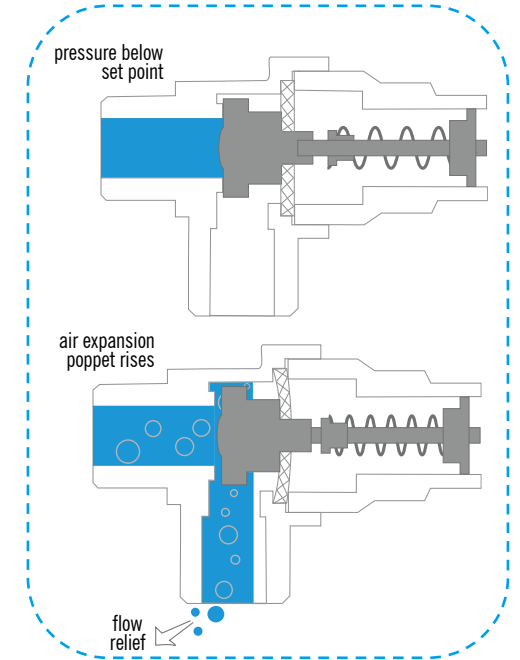
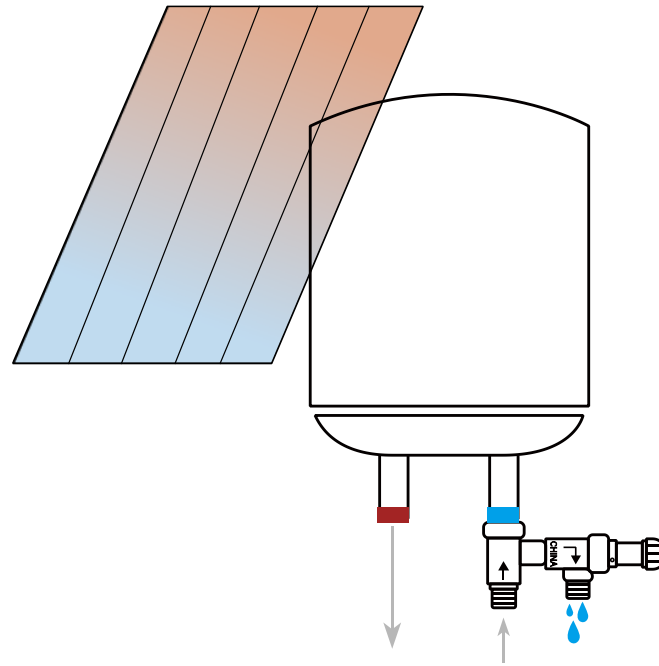
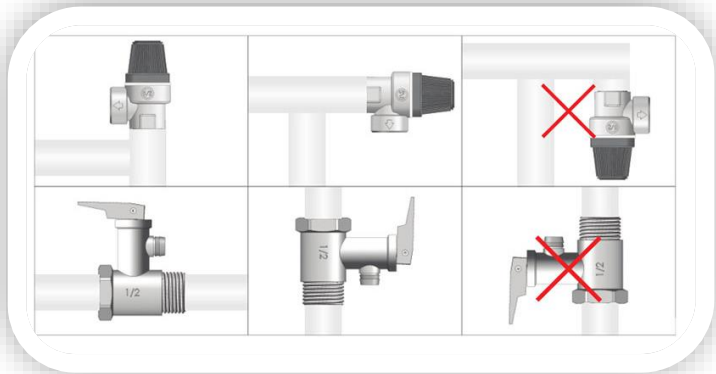
Safety Valve Nickel Plated
27313N



Safety Valve F/F
27200H



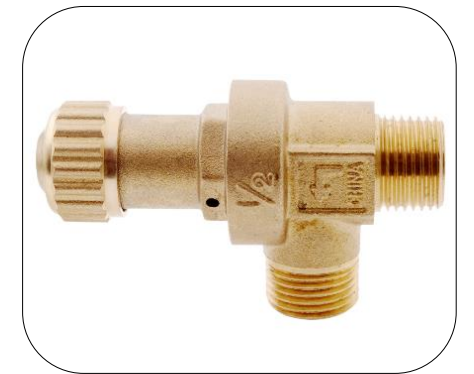
Safety Valve M/F
27201H



Check Valve with Plastic Ball
24370H



Spring Check Valve
24411H



Safety Valve
27208H

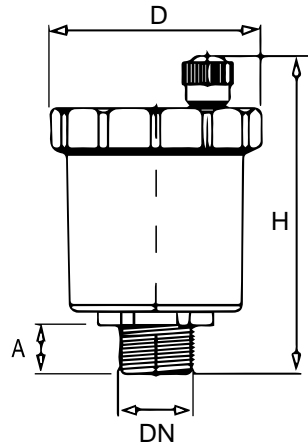
AIR VENTS



**Automatic Air Vent
Brass Color**
27001H (27000H-1)

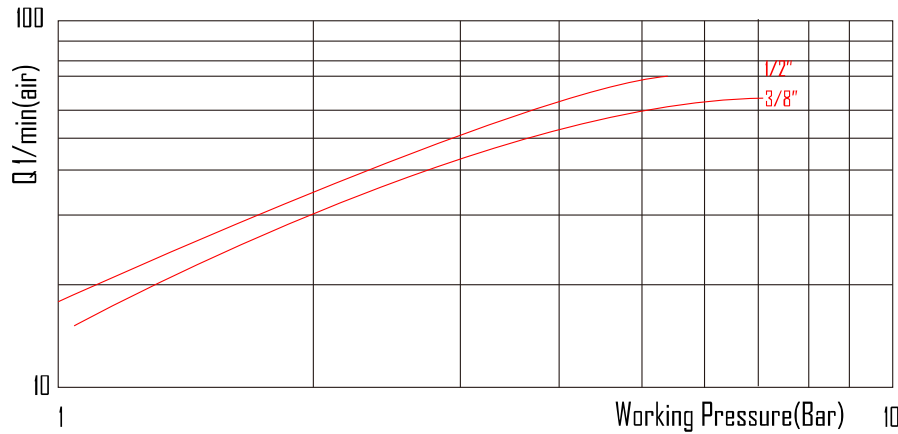


**Automatic Air Vent
Nickel Plated**
27001N



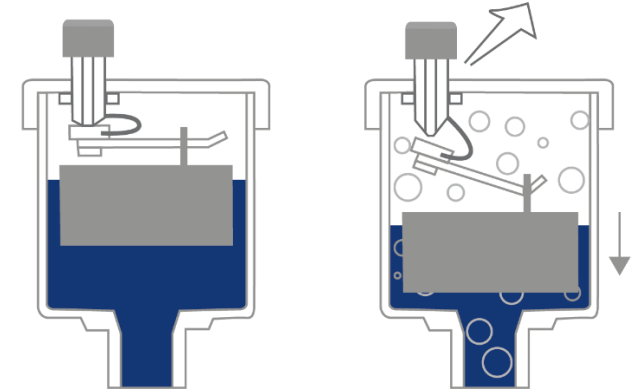
DN	D	H	A
3/8"	Φ45	68	11.5
1/2"	Φ45	68	11.5

Material: Brass
 Floating Part: PP
 Nominal Pressure: ≤ 1.6Mpa
 Working Pressure: 0~4bar
 Working Medium: Water
 Working Temperature: 0°C ≤ T ≤ 110°C
 Thread: BSP, NPT
 Testing: 100% tested with 0.6MPa-0.8MPa by air



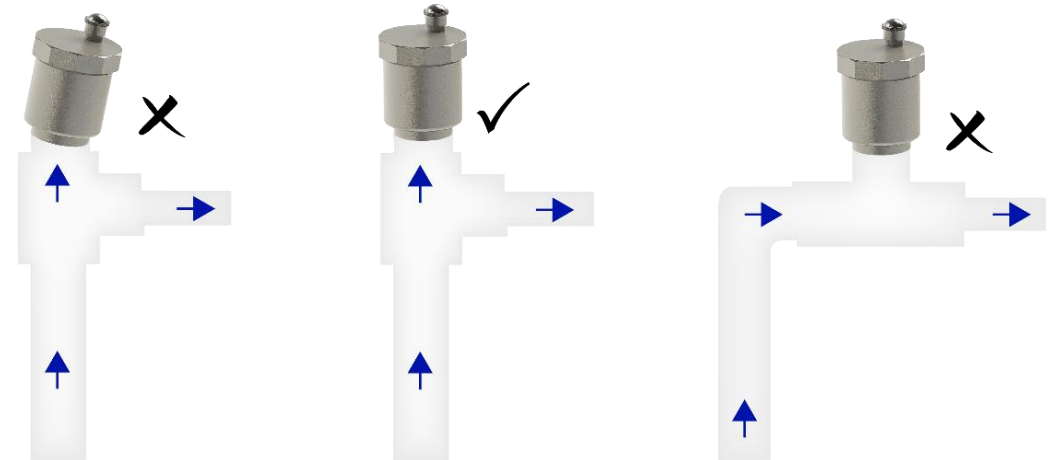
Function:

Automatic air vent is designed to release air from the heated water to balance pressure in pipe.



Installation Caution:

1. The vent is installed in the vertical position.
2. In a vertical pipe system, the vent should be installed at the highest point.
3. Do not install the vent in the middle of horizontal pipe where water flows.



AIR VENTS



**Automatic Air Vent
Nickel Finish**
27003N



**Automatic Air Vent
Brass Color**
27003H



**Automatic Angle Air Vent
Nickel Finish**
27021N



**Automatic Angle Air Vent
Brass Color**
27021H



**Automatic Air Vent
Plug by Float Chromed**
27019C-L
27019C-R



**Air Vent Plug
Nickel Finish**
8304



**Manual Air Vent Plug
Nickel Finish**
8305



**Air Vent Plug
Brass Color**
8341

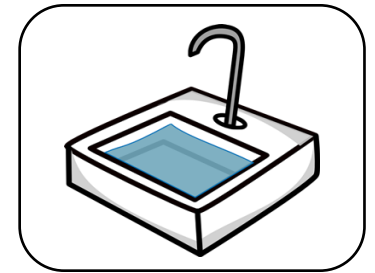
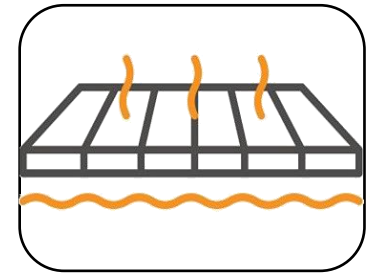
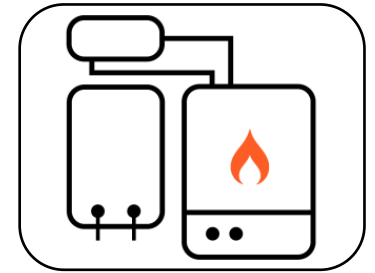
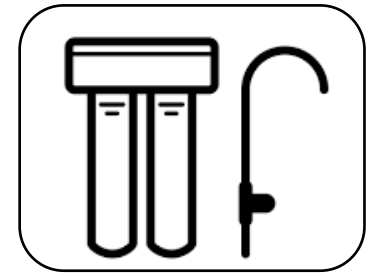
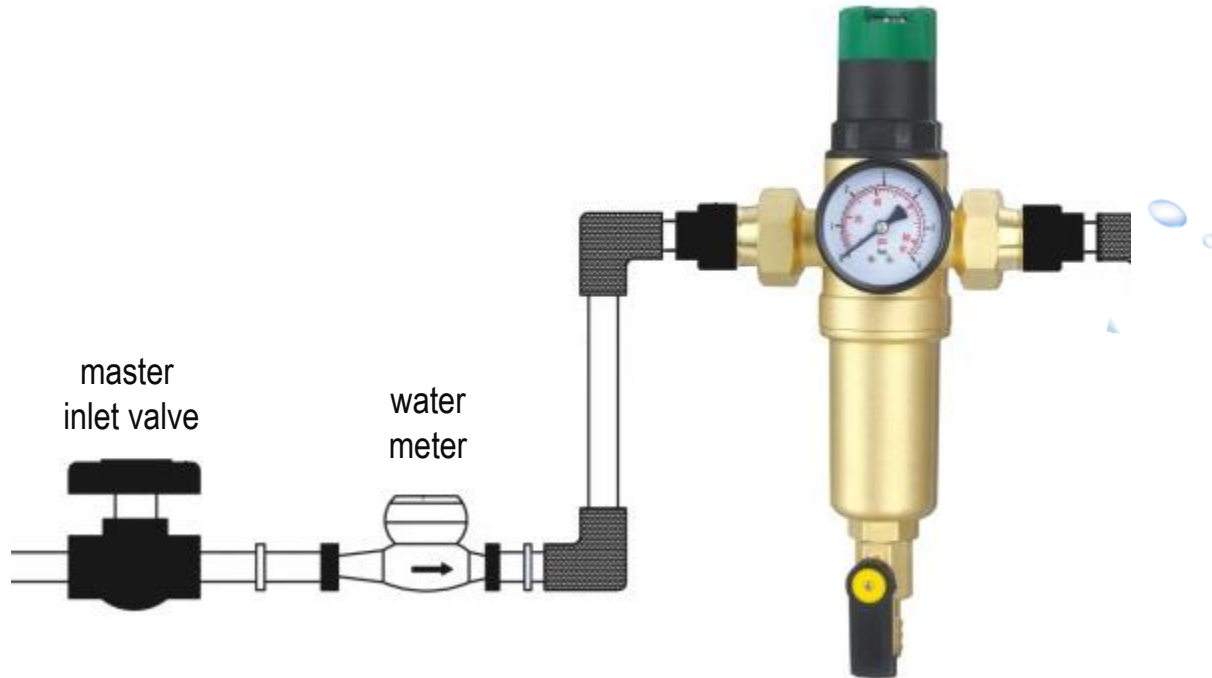


Water Purification

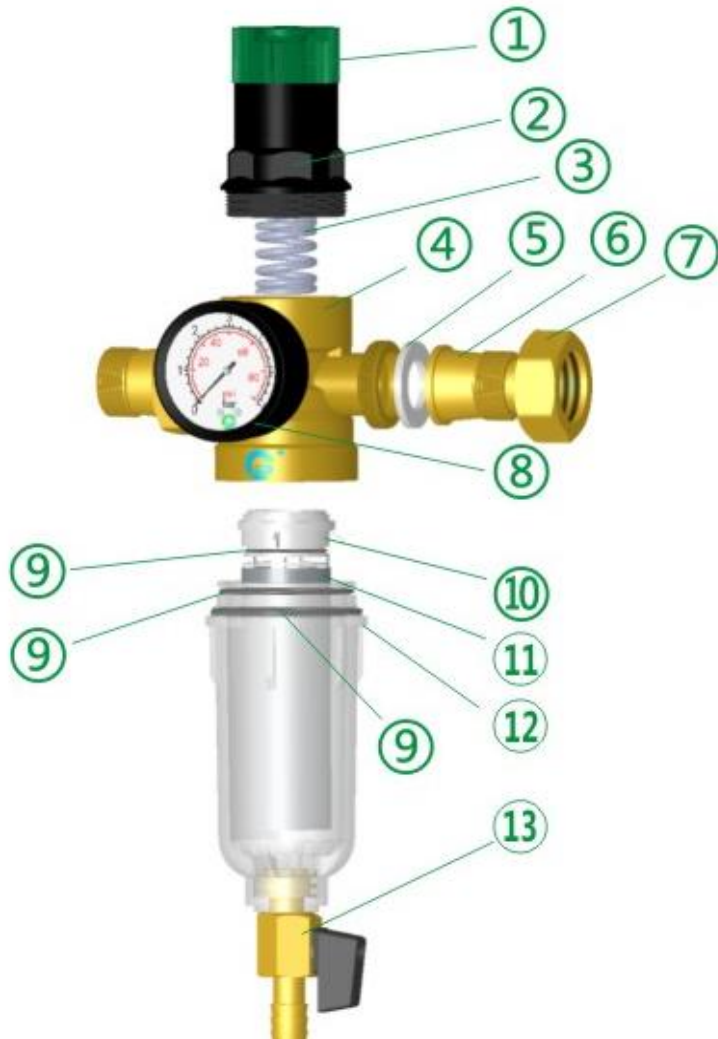
WATER PRE-FILTER APPLICATION

Medical grade 316 stainless steel mesh filter screen,
food grade environmental filter bracket,
prevent dust, sand, plankton algae and other sediment
go into the appliance.

Protect the water device at the source.
Prolong the life of your household water appliance.



WATER PRE-FILTER STRUCTURE



①	adjustable cap
②	tightening ring
③	spring
④	valve body
⑤	PTFE
⑥	brass fitting
⑦	hexagon nut
⑧	water manometer
⑨	O-ring
⑩	filter bracket
⑪	medical grade SS316 mesh
⑫	PC plastic filter housing
⑬	drain valve

WPF001-F1



WPF001-F2



Full Brass

WPF001-F3



Chrome Finish

Mesh Density	40-60micron
Working Pressure	0.1-0.6MPa
Working Temperature	4°C~40 °C
Function detail	stable pressure
Original water	tap water
Flush	backwash
Size	27X11.5X10CM
Pipe Thread	1/2" or 3/4"





WPF002-1

inner
scrap cleaner



WPF002-2

Chrome Finish



WPF002-3

Mesh Density	40-60micron
Working Pressure	0.1-0.6MPa
Working Temperature	4°C~40 °C
Function detail	stable pressure
Original water	tap water
Flush	backwash
Size	22.5X16.5X6CM
Pipe Thread	1/2" or 3/4"





WPF003-T1



Full Brass

WPF003-T2



Chrome Finish

WPF003-T3

Mesh Density	40-60micron
Working Pressure	0.1-0.6MPa
Working Temperature	4°C~40 °C
Function detail	stable pressure
Original water	tap water
Flush	backwash
Size	22.5X16.5X6CM
Pipe Thread	1/2" or 3/4"





22510C



22512C



22515C



22515C-2



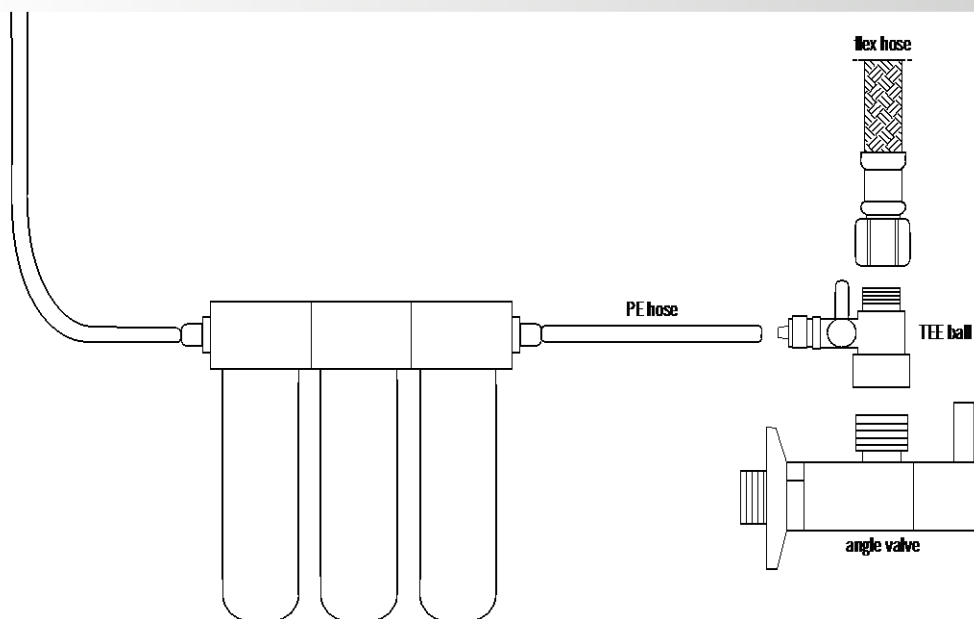
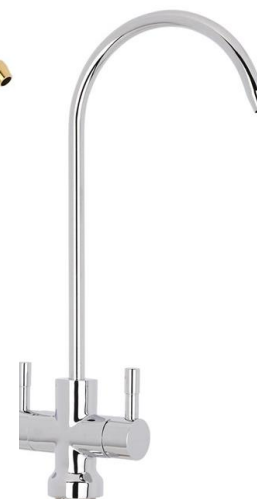
22516C



22518C



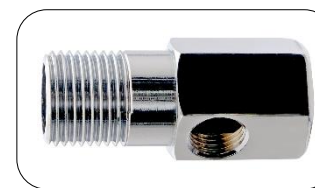
22519C



Tee Ball Valve 8mm 6mm
25700C



Tee Ball Valve 8mm 6mm
25700



Brass Joint
25700C-1



Brass Joint Chromed
25700C-3



Single Water Filter 10"X3/4"
24901



Double Water Filter 3/4"
24910



Triple Water Filter 3/4"
24912



Pump For Water Filter
24916



PP+UDF filter cartridge 10"
24903-8



PP filter cartridge 10"
24903-9



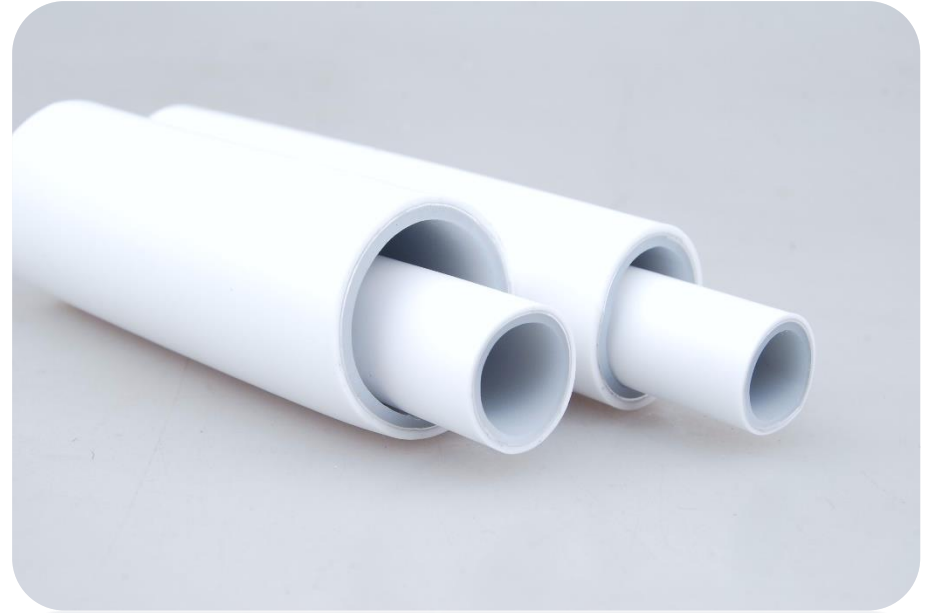
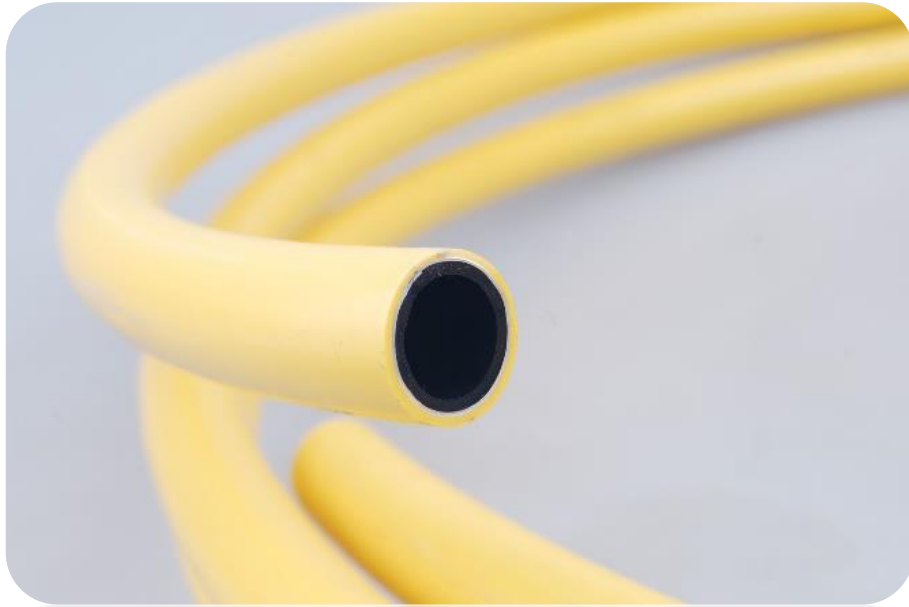
CTO filter cartridge 10"
24903-11



UDF filter cartridge 10"
24903-12



Pipes



Multi-Layer Water & Gas Pipe

reliable supplier for high-performance pipes

PEX

Cross-linked polyethylene is a type of plastic contains cross-linked bonds in the polymer structure, changing the thermoplastic to a thermoset.

Cross-linking is accomplished during or after the extrusion of the tubing. The required degree of cross-linking, according to ASTM Standard F876, is between 65% and 89%. A higher degree of cross-linking could result in brittleness and stress cracking of the material, while a lower degree of cross-linking could result in product with poorer physical properties. (cited from Wikipedia)

PE(X)-AL-PE(X) multilayer pipes

Multilayer pipe is a five-layer pipe.

The slender metal layer embedded between functions as an oxygen/gases barrier, prohibiting the diffusion of oxygen/gases through the polymer pattern. It also offers sternness making the pipe bend in shape and endure higher pressure.

Advantages

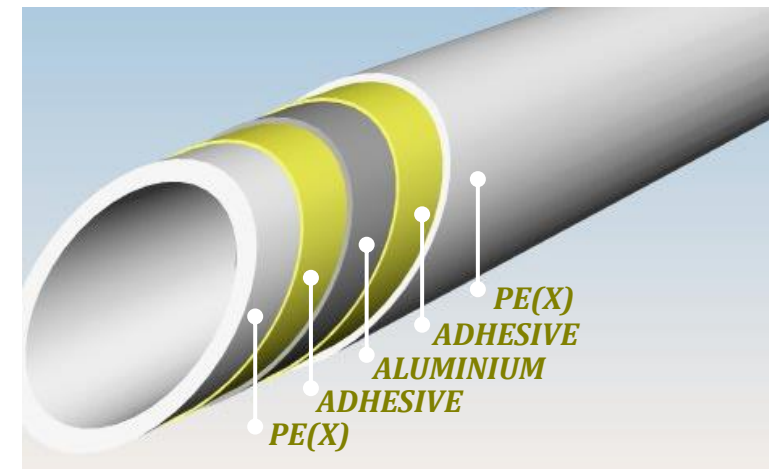
- non-toxic, anti-corrosive, long-term reliability
- flexibility combined with stiffness to hold its shape
- 100% oxygen isolated

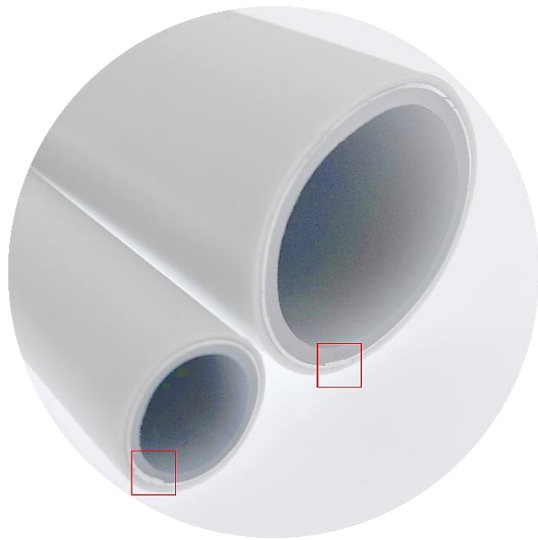
PEX pipes

Made from cross-linked high-density polyethylene(HDPE)

Stable Under

- higher temperature
- chemical attacks
- better resistance to deformation





	DN16	DN18	DN20	DN25	DN26	DN32
Inner diameter	12mm	14mm	16mm	20mm	20mm	26mm
Outer diameter	16mm	18mm	20mm	25mm	26mm	32mm
Wall Thickness	2.0mm	2.0mm	2.0mm	2.5mm	3.0mm	3.0mm
Aluminium	overlap	overlap	overlap	overlap	overlap	overlap
Length	200m/100m	200m/100m	200m/100m	50m	50m	50m

Art No.	Material	Application Examples	Classification	Working Temperature
<u>3700GC</u>	PE-AL-PE	ordinary gas pipeline	Class 500	-20°C ~ 40°C 40°C at 4 Bars
<u>3700PC</u>	PE-AL-PE	cold water pipe	PN14	-20°C ~ 60°C 60°C at 4 Bars / 20°C at 10 Bars
<u>3700PE</u>	PE-AL-PEX	ordinary hot water pipe	PN14	-20°C ~ 60°C 60°C at 4 Bars / 20°C at 10 Bars
<u>3700PX</u>	PEX-AL-PEX	high temperature radiator hot water pipe solar energy system	PN14	-20°C ~ 95°C short exposures up to 100°C (<1 hour) 95°C at 4 Bars / 70°C at 10 Bars

Heat Conductivity:

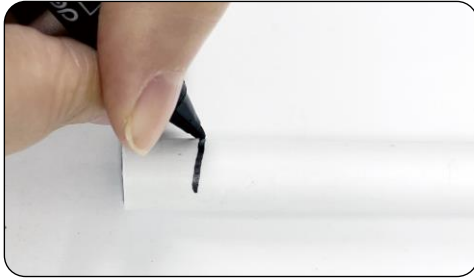
0.43W/m.k

Linear Expansion Coefficient:

0.025mm/(m.k)

Note:1Mpa = 145psi = 10bar

Installation



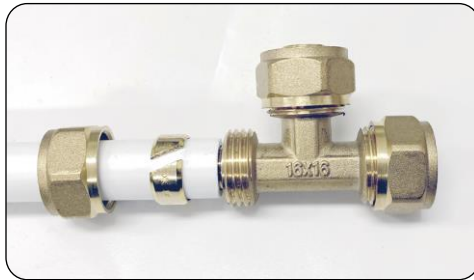
1. Measure the length you need and draw a cut mark on the pipe.



2. Align the cutter, squeeze the handles and rotate the cutter until the pipe is cut.



3. Use a right-size calibrator to round and ream the cutting edge.



4. Slip on the retainer nut, then the sleeve and finally the fitting. The trick to not getting any leaks is to ensure proper penetration.



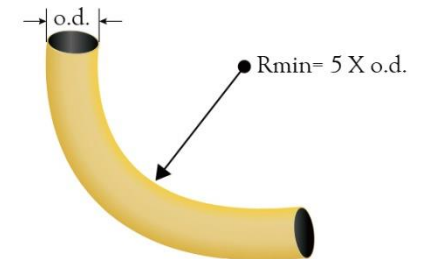
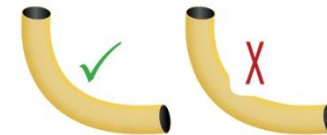
5. Tighten the retainer nut to ensure that the fitting is properly seated.



6. Tighten the nut enough with a wrench.

Bending Caution

Bending of the pipe may be accomplished by hand with an internal or external bending spring or suitable pipe benders, with min. bend radio 5 times of pipe outer dia.



Tools



Plastic Pipe Calibrator
8512



Metal Pipe Calibrator
8512-A



Plastic Pipe Calibrator
8512-C



Pipe Cutter
8513



Pipe Cutter
8518



Soft Plastic Hose
PVC Hose
PEX Hose

Pipe Cutter 36MM
8524



Soft Plastic Hose
PVC Hose
PEX Hose

Pipe Cutter 50MM
8525



Soft Plastic Hose
PVC Hose
PEX Hose

Pipe Cutter 36MM
8526



Clamp Saddle
P2031



Clamp with Expansion Screw
56011



Pipe Bending Spring-Inside
8511 Round Steel
8511-1 Square Steel



Pipe Bending Spring-Outside
8511-A Round Steel
8511-1A Square Steel

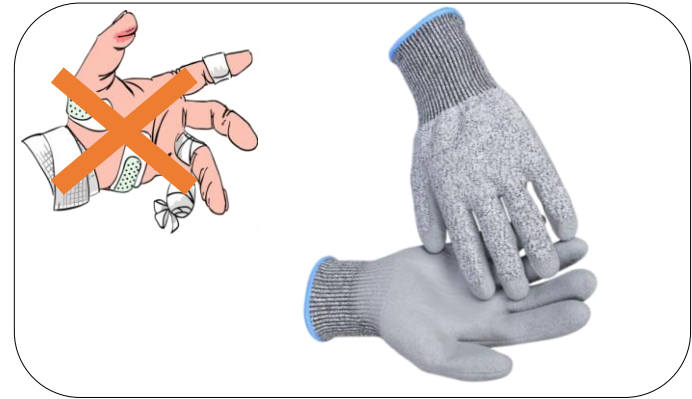
Tools






Hose Crimping Tool
8550



Hose Crimping Tool
8551



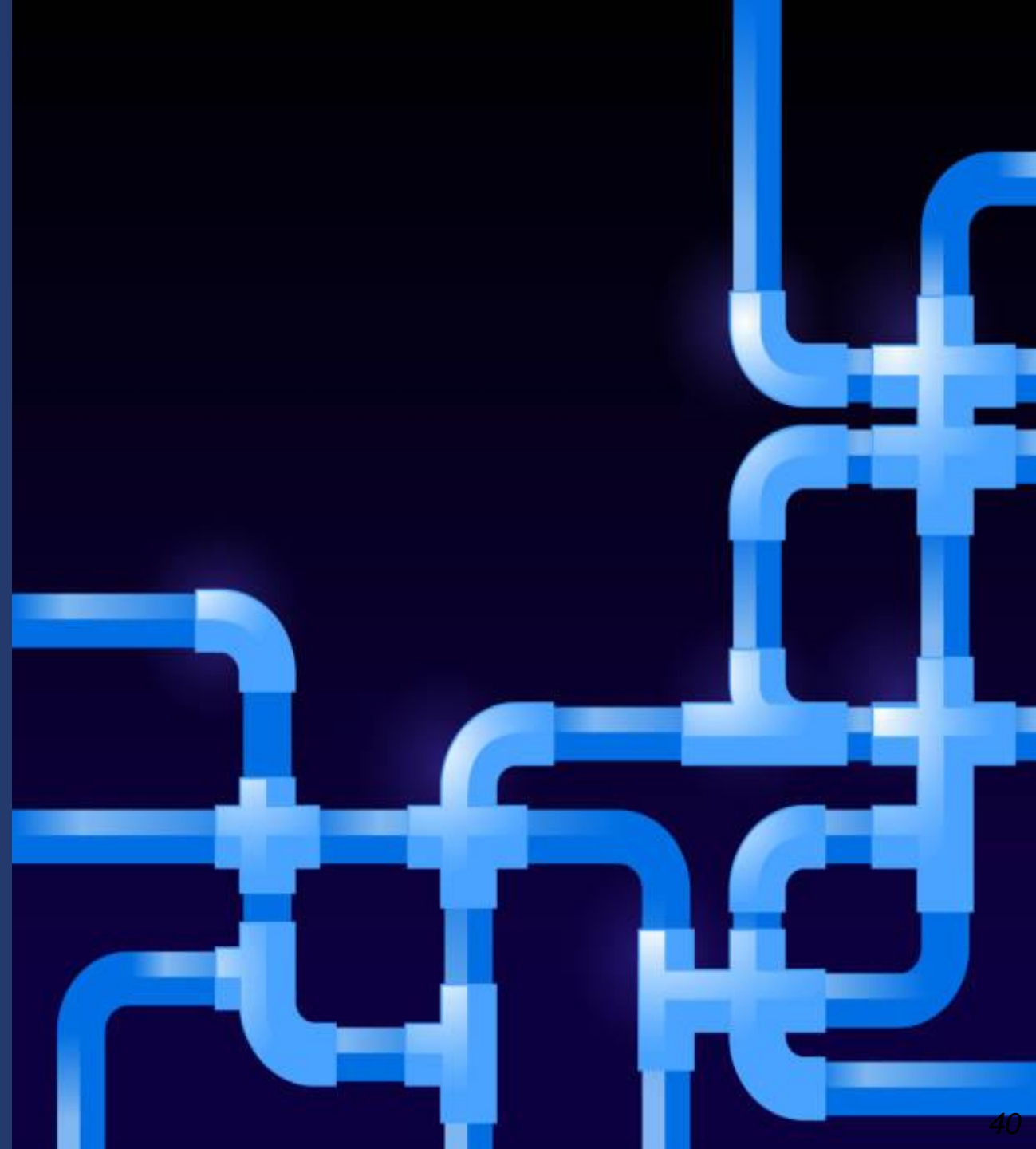
Cut Resistant Gloves
GV-004

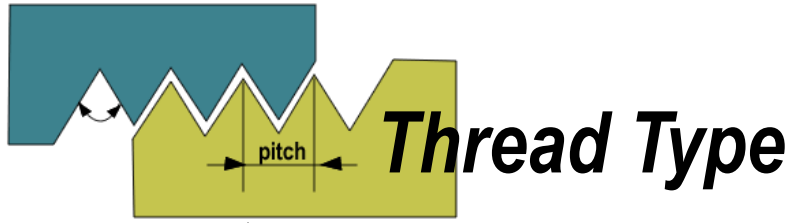
Application:		Force:	Dies Profile:		
PE(X)-AL-PE(X) Hose	Crimping	6T	U-Type		Φ16 Φ20 Φ25 Φ32
PE(X)-AL-PE(X) Hose	Crimping	6T	TH-Type		Φ16 Φ20 Φ26 Φ32
SUS hose	Crimping	6T	SV-Type		DN15 DN20 DN25
A plastic box is included.					



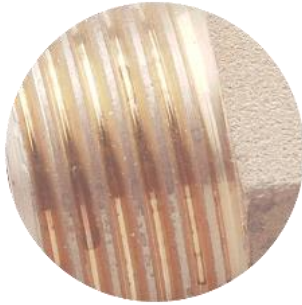
- Grade 5 protection
- PU coating
- Superior grip
- Lightweight & comfortable
- Ideal for cutting, slicing, peeling, and grating

Connecting Fittings





normal



cutted



Surface Treatment

H

hand polished / sand polished



C

brass polished & chrome plate



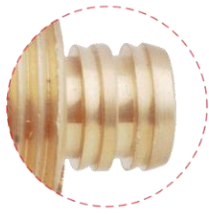
N

brass polished & nickel plate



O

customization per demands



PEX PIPE FITTING ~ 14 SERIE, BRASS COLOR

STRAIGHT

D-1400H
MALE



D-1401H
FEMALE



D-1402H
EQUAL



D-1411H
REDUCE



ELBOW

D-1403H
MALE



D-1404H
FEMALE



D-1405H
EQUAL



D-1412H
REDUCE



TEE

D-1406H
MALE



D-1407H
FEMALE



D-1408H
EQUAL



D-1413H
REDUCE



OTHER

D-1409H
FEMALE

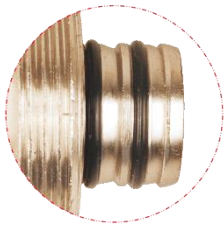


D-1418H
105°F



149118
PLASTIC BOX FOR 105°F





PEX-AL-PEX PIPE FITTING ~ 15 SERIE, BRASS COLOR

STRAIGHT

D-1500H
MALE



D-1501H
FEMALE



D-1502H
EQUAL



D-1511H
REDUCE



ELBOW

D-1503H
MALE



D-1504H
FEMALE



D-1505H
EQUAL



D-1512H
REDUCE



TEE

D-1506H
MALE



D-1507H
FEMALE



D-1508H
EQUAL



D-1513H
REDUCE



OTHER

D-1509H
FEMALE





PEX-AL-PEX PIPE FITTING ~ 15 SERIE, NICKEL FINISH

STRAIGHT

D-1500N
MALE



D-1501N
FEMALE



D-1502N
EQUAL



D-1511N
REDUCE

ELBOW

D-1503N
MALE



D-1504N
FEMALE



D-1505N
EQUAL



D-1512N
REDUCE

TEE

D-1506N
MALE



D-1507N
FEMALE



D-1508N
EQUAL



D-1513N
REDUCE

OTHER

D-1509N
FEMALE





PEX-AL-PEX PIPE FITTING ~ 19 SERIE, NICKEL FINISH

STRAIGHT

1900N
MALE



1901N
FEMALE



1902N
EQUAL



1911N
REDUCE



ELBOW

1903N
MALE



1904N
FEMALE



1905N
EQUAL



1912N
REDUCE



TEE

1906N
MALE



1907N
FEMALE



1908N
EQUAL



1913N
REDUCE



OTHER

1909N
FEMALE

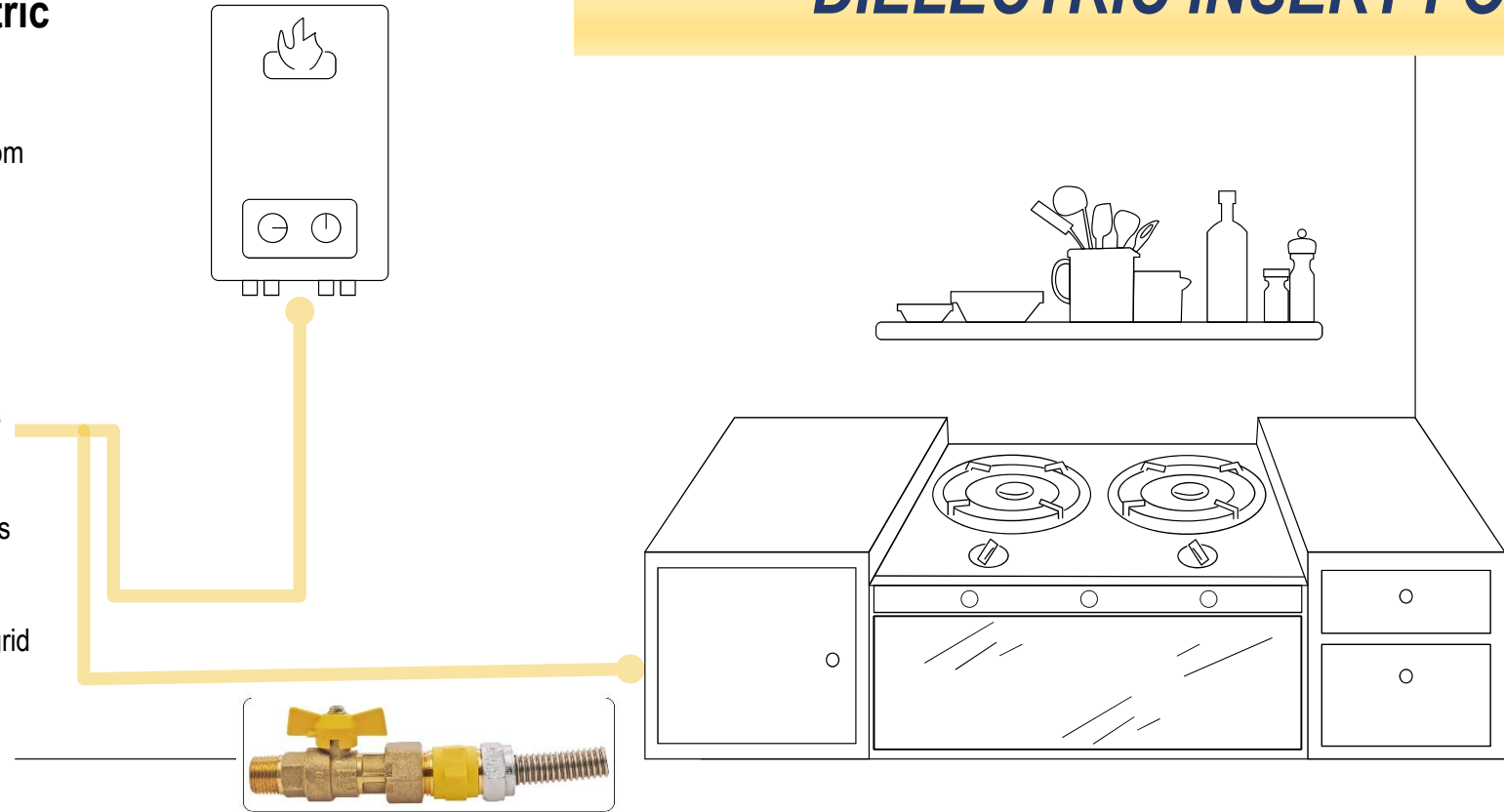


WHY we need an insulating dielectric coupling for gas?

The main function of a dielectric is to protect equipment from **stray currents** that can occur in a gas pipeline for various reasons.

Here's what happens if stray currents get to your gas equipment:

- Gas appliances, most of the parts of which are made of conductive metal parts, become worthless and themselves become sources of danger;
- If a random spark occurs, there is a risk of fire, which becomes thousands of times more dangerous in a gaseous environment.
- Stray currents transmitted to household appliances and pipes during a thunderstorm or an accident on the power grid can cause serious injury to the user of gas equipment.



HOW it works?

Dielectric inserts are made of **insulating polyamide** and cut off the currents generated on gas pipe from equipment.

The best place to install the coupling is between gas shut-off valve and flexible hose pipe.

*We remind you that it is impossible to use gas equipment before the arrival of a gas service employee.

He must verify, record the fact of the installation of the dielectric and give permission to operate the connected equipment.*



SUS Convulved Gas Hose
WS01A12801



Dielectric Coupling
□1/2"MM □3/4"MM
16930PB



Dielectric Coupling
□1/2"MF □3/4"MF
16931PB

BRASS General Fittings



Brass Extension
16301H



Brass Extension Chromed
16301C



Brass Extension
16302H



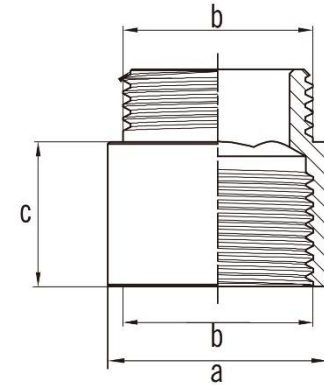
Brass Extension Chromed
16302C



Brass Extension
16303H



Brass Extension Chromed
16303C



a	b	c
Φ24MM	1/2" M*1/2" F	10MM
Φ24MM	1/2" M*1/2" F	15MM
Φ24MM	1/2" M*1/2" F	20MM
Φ24MM	1/2" M*1/2" F	25MM
Φ24MM	1/2" M*1/2" F	30MM
Φ24MM	1/2" M*1/2" F	40MM
Φ24MM	1/2" M*1/2" F	50MM
Φ24MM	1/2" M*1/2" F	60MM
Φ24MM	1/2" M*1/2" F	70MM
Φ24MM	1/2" M*1/2" F	80MM
Φ24MM	1/2" M*1/2" F	90MM
Φ24MM	1/2" M*1/2" F	100MM

a	b	c
Φ26MM	1/2" M*1/2" F	10MM
Φ26MM	1/2" M*1/2" F	15MM
Φ26MM	1/2" M*1/2" F	20MM
Φ26MM	1/2" M*1/2" F	25MM
Φ26MM	1/2" M*1/2" F	30MM
Φ26MM	1/2" M*1/2" F	40MM
Φ26MM	1/2" M*1/2" F	50MM
Φ26MM	1/2" M*1/2" F	60MM
Φ26MM	1/2" M*1/2" F	70MM
Φ26MM	1/2" M*1/2" F	80MM
Φ26MM	1/2" M*1/2" F	90MM
Φ26MM	1/2" M*1/2" F	100MM

a	b	c
Φ26.5MM	1/2" M*1/2" F	10MM
Φ26.5MM	1/2" M*1/2" F	15MM
Φ26.5MM	1/2" M*1/2" F	20MM
Φ26.5MM	1/2" M*1/2" F	25MM
Φ26.5MM	1/2" M*1/2" F	30MM
Φ26.5MM	1/2" M*1/2" F	40MM
Φ26.5MM	1/2" M*1/2" F	50MM
Φ26.5MM	1/2" M*1/2" F	60MM
Φ26.5MM	1/2" M*1/2" F	70MM
Φ26.5MM	1/2" M*1/2" F	80MM
Φ26.5MM	1/2" M*1/2" F	90MM
Φ26.5MM	1/2" M*1/2" F	100MM

a	b	c
Φ27MM	1/2" M*1/2" F	10MM
Φ27MM	1/2" M*1/2" F	15MM
Φ27MM	1/2" M*1/2" F	20MM
Φ27MM	1/2" M*1/2" F	25MM
Φ27MM	1/2" M*1/2" F	30MM
Φ27MM	1/2" M*1/2" F	40MM
Φ27MM	1/2" M*1/2" F	50MM
Φ27MM	1/2" M*1/2" F	60MM
Φ27MM	1/2" M*1/2" F	70MM
Φ27MM	1/2" M*1/2" F	80MM
Φ27MM	1/2" M*1/2" F	90MM
Φ27MM	1/2" M*1/2" F	100MM

a	b	c
Φ30.5MM	3/4" M*3/4" F	10MM
Φ30.5MM	3/4" M*3/4" F	15MM
Φ30.5MM	3/4" M*3/4" F	20MM
Φ30.5MM	3/4" M*3/4" F	25MM
Φ30.5MM	3/4" M*3/4" F	30MM
Φ30.5MM	3/4" M*3/4" F	40MM
Φ30.5MM	3/4" M*3/4" F	50MM
Φ30.5MM	3/4" M*3/4" F	60MM
Φ30.5MM	3/4" M*3/4" F	70MM
Φ30.5MM	3/4" M*3/4" F	80MM
Φ30.5MM	3/4" M*3/4" F	90MM
Φ30.5MM	3/4" M*3/4" F	100MM

BRASS General Fittings



Brass Socket
16500



Brass Socket
16500-2



Brass Socket Reduce
16501



Nipple Equal M/M
16502



Nipple Reduce M/M
16503



Elbow Equal F/F
16600



Elbow Equal M/F
16611(A)



Elbow Equal M/F
16611(B)



Tee Equal
16700(A)



Tee Equal
16700(B)



Tee Reduce
16713



Y Joint
16730



Y Joint
25509-1



Plug
16780



Plug
16781



Cap (Tall)
16152



Cap
16800



Cap with Hole
16801



Nipple Reduce M/F
16810



Bushing
16813



Cap with Hole
16511

BRASS General Fittings



Extension Reduce
16303H-1 short



Extension Reduce
16303H-1 tall



Extension
16303H-2 short



Extension
16303H-2 tall



3-PC Union F/F
16400



3-PC Union M/M
16410



3-PC Union M/F
16420



Eccentric Fitting
16880-1



Nipple Reduce M/F
16153



Nipple M/F
16506



Elbow Reduce M/F
16833(A)



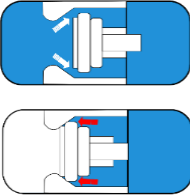

Elbow Reduce M/F
16833(B)



Water Meter Fitting
16243H



100% PTFE Sealing Tap
8500



backflow prevention
water consumption cut-down
easy and fast installation

Water Meter Fitting with Non-return Check Valve Plug
16243HC

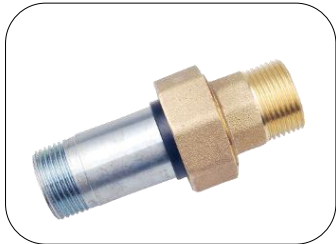
BRASS Welding Fittings



Copper Pipe Welding Fitting
16047H



Copper Pipe Welding Fitting
16048H



3-PC Union for Solar
16028H



Nipple Equal for Solar Φ 22
11602H



Elbow for Solar Φ 22
11605H



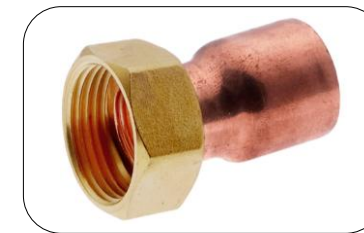
Tee for Solar Φ 22
11608H



**Nipple with Plug
for Solar Φ 22**
11629H

1/2" M	15mm
1/2" M	18mm
3/4" M	18mm
3/4" M	22mm
1" M	22mm
1" M	28mm
1-1/4" M	35mm

1/2" F	15mm
1/2" F	18mm
3/4" F	18mm
3/4" F	22mm
1" F	22mm
1" F	28mm
1-1/4" F	35mm



HVAC Copper Pipe Welding Fitting
18210H

Brass Nut	Copper Tube Dia.
1/2" F	15mm
1/2" F	18mm
3/4" F	18mm
3/4" F	22mm
1" F	22mm
1" F	28mm

BRASS Solar Fittings No Additional Sealing Elements Needed

IRON Fittings



**Galvanized
Iron Plug**
16781I



**Brass-Color
Iron Male Nipple**
16502IH



**Chromed
Iron Male Nipple**
16502IC



**Chromed
Iron Extension**
 $\Phi 26.5\text{MM}$
16302-1IC



**Brass-Color
Iron Cap**
16800IH



**Brass-Color
Iron Nipple Reduce**
16810IH



**Brass-Color
Iron Socket**
16500-2IH



**Chromed
Iron Extension**
 $\Phi 24.5\text{MM}$
16302-2IC



**Brass-Color
Iron Hose Nipple**
16114-2IH



**Brass-Color
Iron Hose Nipple**
16116-2IH



Iron Opposite Wire
8316



**Chromed
Iron Extension**
 $\Phi 25\text{MM}$
16302-3IC

Taps & Mixers



Accessories



Basin 35mm

45801



Bidet 35mm

45802



Shower 35mm

45803



Bathtub 35mm

45804



Sink Horizontal 35mm

45805



Sink Vertical 35mm

45806



Wall-in Shower 35mm

45807



Wall-in Shower With Rod 35mm

45808



Basin 40mm
45811



Basin L 40mm
45812



Basin XL 40mm
45813



Bidet 40mm
45814



Bathtub 40mm
45815



Shower 40mm
45816



Sink Vertical 40mm
45817



Sink With Pull-out Spray 40mm
45818



Tap Wall-Mounted

43611



Tap Deck-Mounted

43612



Urinal Valve Wall-Mounted

43613



Urinal Valve Wall-Mounted

43614



Shower Valve Wall-in

43615



Flush Valve Wall-in

43616



Flush Valve Wall-Mounted

43617



Sink 35mm
45830-WHITE



Sink 35mm
45830-BLACK



Sink 35mm
45830-RED



Sink 35mm
45830-BLUE



Basin 35mm
45831



Basin 35mm
45832



Basin 40mm
45833





Cold Water Tap
40701



Cold Water Tap
40702-1



Cold Water Tap
40703



Cold Water Tap
40704



Cold Water Tap
40705-1



Cold Water Tap
42201



Cold Water Tap
43709 22CM



Cold Water Tap
43709 27CM



Cold Water Tap
47533C



Cold Water Tap
47537C-1



Cold Water Tap
47537C-2



Cold Water Tap
47537C-3



Cold Water Tap
47537C-4



Cold Water Tap
47534C



Cold Water Tap
47538C-1



Cold Water Tap
47538C-2



Cold Water Tap
47538C-3



Cold Water Tap
47538C-4



Sink
43501-1J



Sink
43501-1R



Sink
43501-1S



Sink
43501-1U



Sink
43501-2J



Sink
43501-2R



Sink
43501-2S



Sink
43501-2U



Sink
43501-3J



Sink
43501-3R



Sink
43501-3S



Sink
43501-3U



Sink
43501-4J



Sink
43501-4R



Sink
43501-4S



Sink
43501-4U



Sink
45101-J



Sink
45101-R



Sink
45101-S



Sink
45101-U



Sink
45102-J



Sink
45102-R



Sink
45102-S



Sink
45102-U



Sink
43502-1J



Sink
43502-2J



Sink
43502-3J



Sink
43502-4J



Shower
43504-1



Shower
43504-2



Shower
43504-3



Shower
43504-4



Bathtub
43500-1



Bathtub
43500-2



Bathtub
43500-3



Bathtub
43500-4



Bathtub
43510-1



Bathtub
43510-2



Bathtub
43510-3



Bathtub
43510-4



Sink 35mm
40605-4



Sink 35mm
43705



Sink 35mm
43706



Shower
40609-2



Basin 35mm
43701



Bathtub 35mm
43703



Sink 35mm
43704-1 16mm
43704-2 18mm
43704-3 22mm



Sink 40mm
40604-3



Sink 40mm
40604-4



Sink 40mm
40606



Sink 40mm
40608



Sink 40mm
40605 long
40605 short



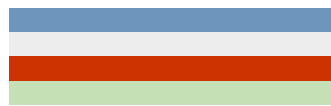
Sink With Pull-out Spray 40mm
40605-1



Bathtub 40mm
40603



Wall-in Shower 40mm
40609





Sink 35mm
42009W08



Sink 35mm Matt Black
42009W08



Sink 35mm
42009W08-1



Sink 35mm Matt Black
42009W08-1



Sink
43801-1



Sink
43801-2



Sink
43901-1



Sink
43901-2



Cold Water Sink Tap
41216



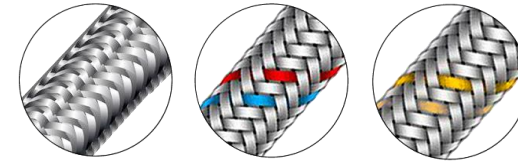
Cold Water Sink Tap
41216-1



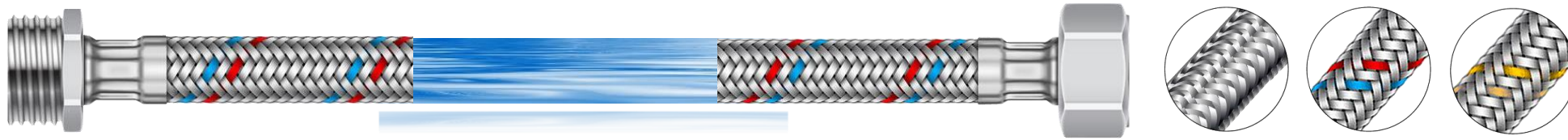
Cold Water Sink Tap
41216-1U



Cold Water Sink Tap
41216-2U

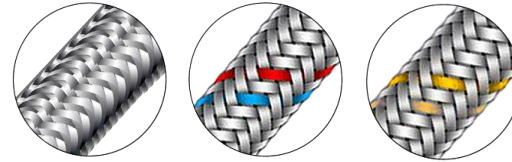
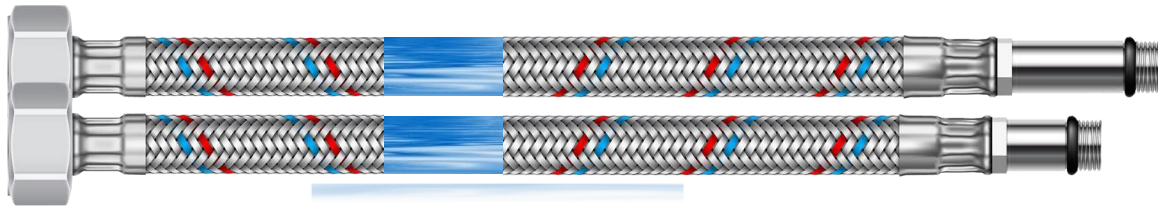


FS01	φ12MM X3/8"FX1/2"F	SUS304 Wire-Braided Hose	EPDM tube	brass F-nuts	brass inserts	FS01-2	+ PVC isolation
				SUS F-nuts			+ PVC isolation
FS01	φ12MM X1/2"FX1/2"F	SUS304 Wire-Braided Hose	EPDM tube	brass F-nuts	brass inserts	FS01-2	+ PVC isolation
				SUS F-nuts			+ PVC isolation
FS01	φ13MM X3/8"FX3/8"F	SUS304 Wire-Braided Hose	EPDM tube	brass F-nuts	brass inserts	FS01-2	+ PVC isolation
				SUS F-nuts			+ PVC isolation
FS01	φ13MM X3/8"FX1/2"F	SUS304 Wire-Braided Hose	EPDM tube	brass F-nuts	brass inserts	FS01-2	+ PVC isolation
				SUS F-nuts			+ PVC isolation
FS01	φ13MM X1/2"FX1/2"F	SUS304 Wire-Braided Hose	EPDM tube	brass F-nuts	brass inserts	FS01-2	+ PVC isolation
				SUS F-nuts			+ PVC isolation
FS01	φ14MM X1/2"FX1/2"F	SUS304 Wire-Braided Hose	EPDM tube	brass F-nuts	brass inserts	FS01-2	+ PVC isolation
				SUS F-nuts			+ PVC isolation
FS01	φ19MM X1/2"FX1/2"F	SUS304 Wire-Braided Hose	EPDM tube	brass F-nuts	brass inserts	FS01-2	+ PVC isolation
				SUS F-nuts			+ PVC isolation



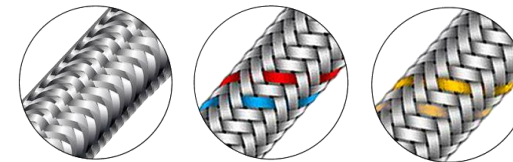
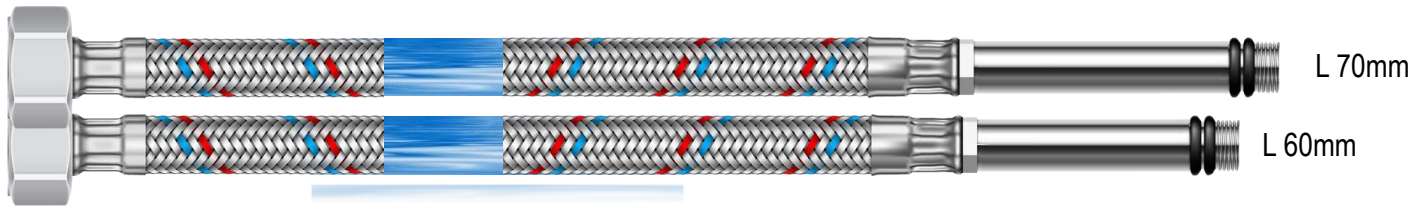
FS02	φ12MM X3/8"MX3/8"F	SUS304 Wire-Braided Hose	EPDM tube	brass F-nut + brass M-thread	brass insert
				SUS F-nuts + brass M-thread	
FS02	φ12MM X3/8"MX1/2"F	SUS304 Wire-Braided Hose	EPDM tube	brass F-nut + brass M-thread	brass insert
				SUS F-nuts + brass M-thread	
FS02	φ12MM X1/2"MX1/2"F	SUS304 Wire-Braided Hose	EPDM tube	brass F-nut + brass M-thread	brass insert
				SUS F-nuts + brass M-thread	
FS02	φ13MM X3/8"MX3/8"F	SUS304 Wire-Braided Hose	EPDM tube	brass F-nut + brass M-thread	brass insert
				SUS F-nuts + brass M-thread	
FS02	φ13MM X1/2"MX3/8"F	SUS304 Wire-Braided Hose	EPDM tube	brass F-nut + brass M-thread	brass insert
				SUS F-nuts + brass M-thread	
FS02	φ13MM X1/2"MX1/2"F	SUS304 Wire-Braided Hose	EPDM tube	brass F-nut + brass M-thread	brass insert
				SUS F-nuts + brass M-thread	

FS02-2	+ PVC isolation
	+ PVC isolation
FS02-2	+ PVC isolation
	+ PVC isolation
FS02-2	+ PVC isolation
	+ PVC isolation
FS02-2	+ PVC isolation
	+ PVC isolation
FS02-2	+ PVC isolation
	+ PVC isolation



FS06-D	φ12MM X3/8"F XM10	SUS304 Wire-Braided Hose	EPDM tube	brass F-nut + brass M10 head	brass insert
				SUS F-nuts + brass M10 head	
FS06-D	φ12MM X1/2"F XM10	SUS304 Wire-Braided Hose	EPDM tube	brass F-nut + brass M10 head	brass insert
				SUS F-nuts + brass M10 head	
FS06-D	φ13MM X3/8"F XM10	SUS304 Wire-Braided Hose	EPDM tube	brass F-nut + brass M10 head	brass insert
				SUS F-nuts + brass M10 head	
FS06-D	φ13MM X1/2"F XM10	SUS304 Wire-Braided Hose	EPDM tube	brass F-nut + brass M10 head	brass insert
				SUS F-nuts + brass M10 head	

FS06-D-2	+ PVC isolation
	+ PVC isolation
FS06-D-2	+ PVC isolation
	+ PVC isolation
FS06-D-2	+ PVC isolation
	+ PVC isolation
FS06-D-2	+ PVC isolation
	+ PVC isolation



FS06	φ14MM X1/2"F XM10	SUS304 Wire-Braided Hose	EPDM tube	brass F-nut + brass M10 head	brass insert
				SUS F-nuts + brass M10 head	

FS06-2	+ PVC isolation
	+ PVC isolation



Ceramic Cartridge, Double-Sealings, Idling

49409 35mm
49409 40mm



Ceramic Cartridge with Feet, Triple-Sealings, Idling

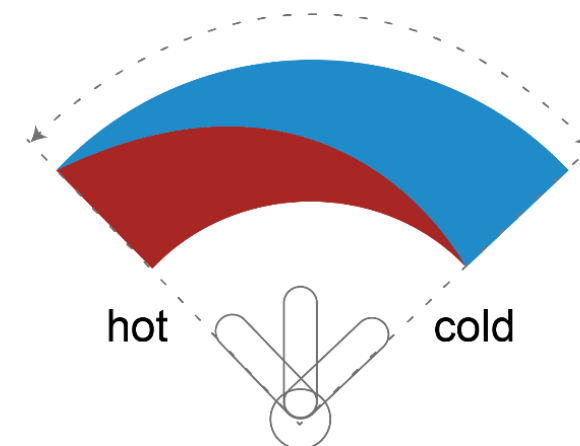
49409-2 35mm
49409-2 40mm



Ceramic Cartridge, Single-Sealing, Non-Idling

49409-5 35mm
49409-5 40mm

陶瓷片密封面材质: AL2O395% or AL2O397%	Ceramic Disc Material: Ceramic : AL2O395% or AL2O397%
陶瓷片密封面平面度: ≤0.9μm	Flatness: ≤0.9μm
陶瓷片密封面硬度: 1050HV5	Hardness: 1050HV5
燥声(3bar): ≤19db	Noise Level: Max.19db at 3bar
爆破压力: 静水压 35(bar)	Burst Test: static water pressure max.3.5MPa
手柄启闭扭力: ≤0.2N.M	Handle Opening and Closing Torque: ≤ 0.2n.m
最高温度-≤90°C	Max.Temperature: 90°C
旋转角度: -90°	Max.Turning Angle: -90°
EN817寿命: >70000周期	Working times: According to the EN817 Standard>70,000 cycles





Faucet Aerator M24
49302



Faucet Aerator M22
49304



Faucet Rotate Aerator
49310



Rotate Anti-Splash Nozzle for Low Faucet 61057
Rotate Anti-Splash Nozzle for High Faucet 49212



Flexible Spout For Faucet
61029





Faucet Mounting Kit M6

49100



Faucet Mounting Kit M8

49101



Faucet Mounting Kit M8

49102



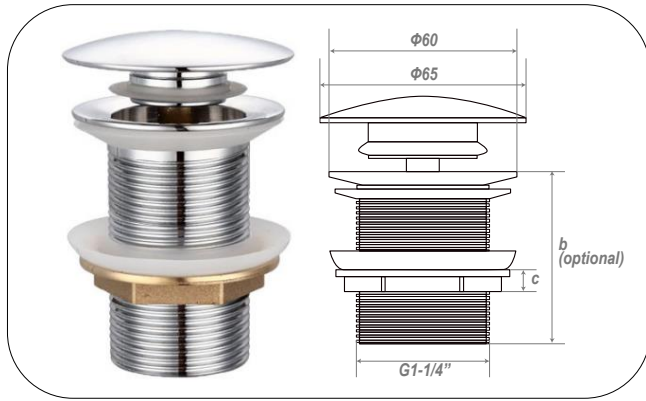
Faucet Mounting Kit M8

49103



Faucet Mounting Kit M6

49104

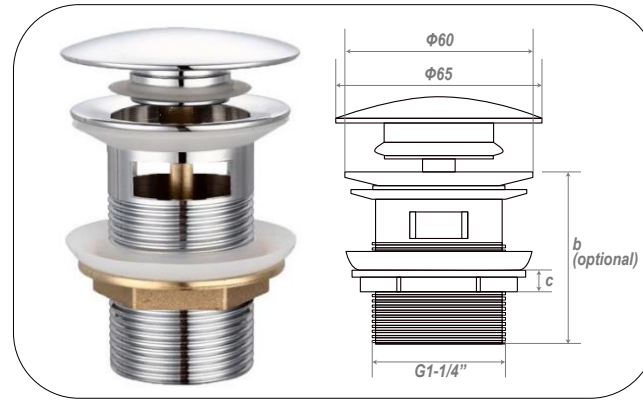


Big Cover Pop-Up Drain

30534C Brass Chromed

30534SS Stainless Steel

30534ZC Zinc Alloy Chromed



Big Cover Pop-Up Drain with Overflow

30534C-2 Brass Chromed

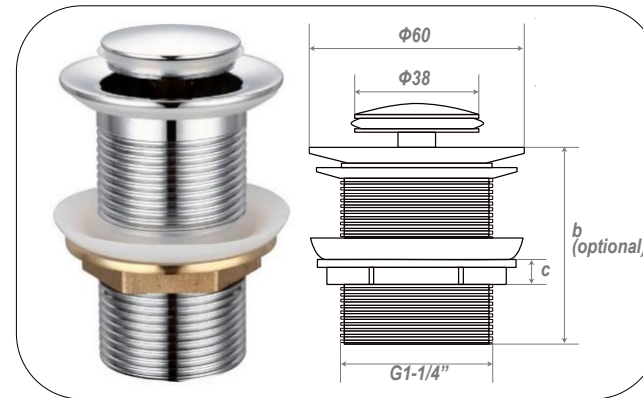
30534SS-2 Stainless Steel

30534ZC-2 Zinc Alloy Chromed



Big Cover Pop-Up Drain with Overflow

30534B-2 Brass Matt Black

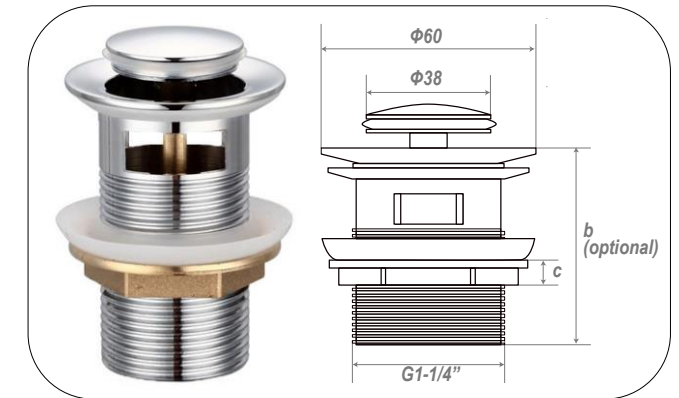


Small Cover Pop-Up Drain

30537C Brass Chromed

30537SS Stainless Steel

30537ZC Zinc Alloy Chromed

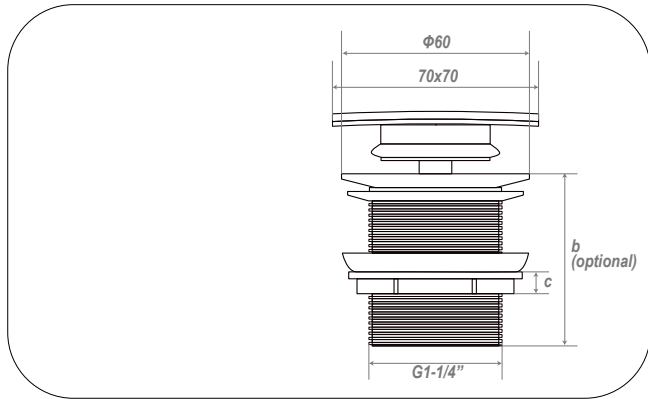


Small Cover Pop-Up Drain with Overflow

30537C-2 Brass Chromed

30537SS-2 Stainless Steel

30537ZC-2 Zinc Alloy Chromed

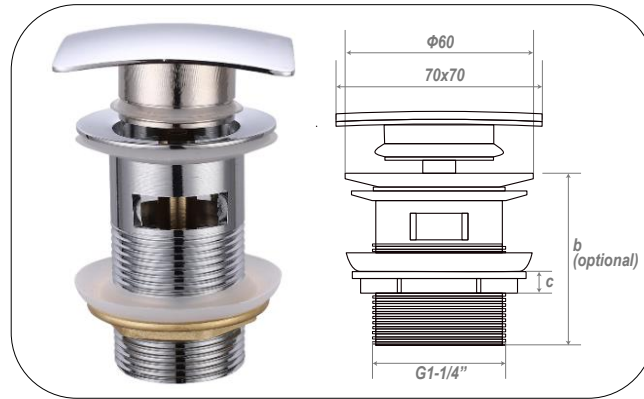


Square Big Cover Pop-Up Drain

30554C Brass Chromed

30554SS Stainless Steel

30554ZC Zinc Alloy Chromed

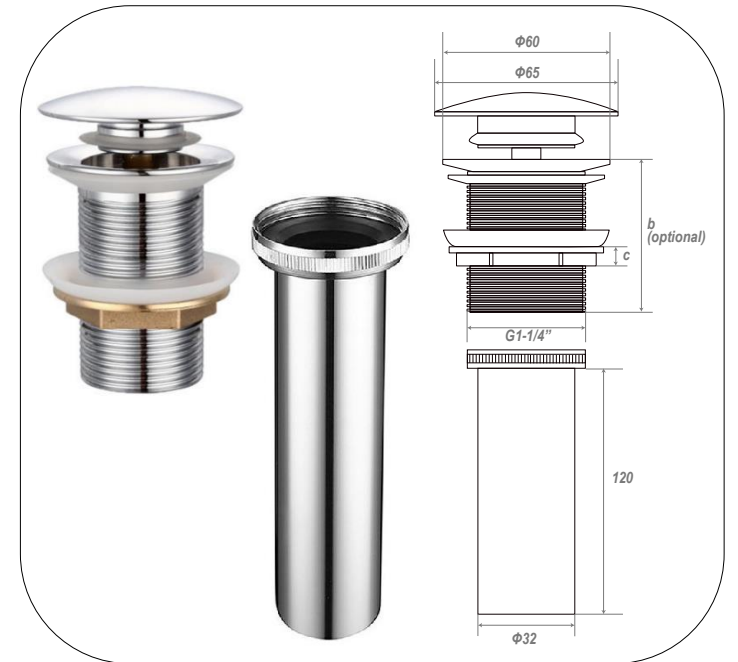


Square Big Cover Pop-Up Drain with Overflow

30554C-2 Brass Chromed

30554SS-2 Stainless Steel

30554ZC-2 Zinc Alloy Chromed



Big Cover Pop-Up Drain with Tailpiece

30536C Brass Chromed

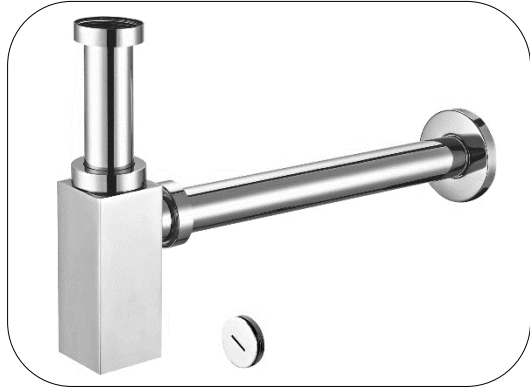
30536SS Stainless Steel

30536ZC Zinc Alloy Chromed

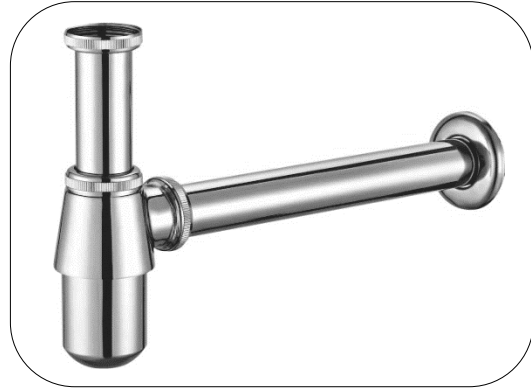


Square Cover Pop-Up Drain with Overflow

30554B-2 Brass Matt Black



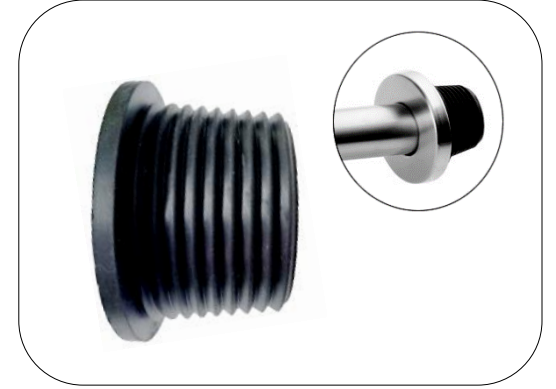
Brass Basin Siphon Chromed 1-1/4"
5736C



Brass Basin Siphon Chromed 1-1/4"
5737C



Drain for Siphon
5737C-P1



Rubber Plug for Siphon
5737C-P2



Plastic Basin Siphon 1-1/2"
30009-2



SUS Basin Siphon 1-1/4"
30528



Stainless Steel Cup
33007



Stainless Steel Strainer
33505-1
33509



Silica Gel Drainer
33010

Bathroom



Accessories



**White PVC Hose, Net-Reinforced
Ø12mm**
HPNW05



**Washing Machine Inlet PVC Hose
Net-Reinforced, Ø13mm**
HPNW06



**Silver Gray PVC Hose
Net-reinforced, Anti-Twist**
HPNS02 / HPNS03



White PTU Spiral Hose
WHPN120



SUS Double-Lock Hose
HS09#AB140E02 EPDM inner



SUS Double-Lock Hose
HS01#AB140P01, PVC inner
HS01#AB140E02, EPDM inner
HS02N, EPDM inner & Nylon-Reinforced



Washing Machine Outlet Pipe
Ø21x200cm
32400



Washing Machine Inlet Pipe
Ø15.5mmx3/4\"/>



Shattaf Set, SUS Flex Hose
62523CHPF



Shattaf Set, SUS Flex Hose
62523CHPF



Shattaf Set, PVC Hose
62523CHPF-28C



Shattaf Set, PVC Hose
62523CHPF-28C



Shattaf Set, White PVC hose
62523WHPN-28W



Shattaf Set, White PVC hose
62523WHPN-28W



Shattaf Set, Gray PTU Hose
62535CHPF-28C



Shattaf Set, Gray PTU Hose
62535CHPF-28C



Shattaf Set, White PTU Hose
62535WHPN-28W



Shattaf Set, White PTU Hose
62535WHPN-28W



Brass Shattaf Set
62539



Plastic Shattaf + Brass Mixer Set
62543C-ROUND



Plastic Shattaf + Brass Mixer Set
62543C-SQUARE



Brass Shattaf + Brass Mixer Set
62543C-1



Brass Shattaf + Brass Mixer Set
62543Y-1



Plastic Shattaf + Brass Valve Set
62544C



Zinc Shattaf Set Matt Black
62545



Zinc Shattaf Set Golden
62545



Plastic Shattaf + Brass Valve Set
62547C-1



Plastic Shattaf + Brass Valve Set
62547C-2



Brass Shattaf + Brass Mixer Set
62549C



Brass Shattaf + Brass Cold Tap Set
62550C



Plastic Shattaf + Brass Mixer Set
45005



**Brass Shattaf Bracket
with Valve**
SJP41



**Brass Shattaf Bracket
with Valve**
SJP41-B



**Brass Shattaf Bracket
with Valve**
SJP41-G



**Brass Shattaf Bracket
with Valve**
SJP43



**Brass Shattaf Bracket
with Valve**
SJP45



**Brass Shower Support
With Bracket**
SJP37



Brass Shower Support
SJP38



Brass Shower Support
SJP39



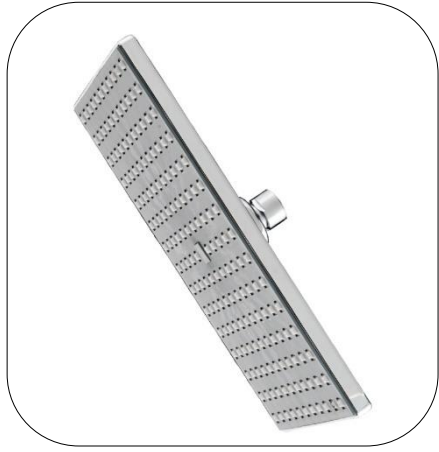
**Brass Shower Support
With Bracket**
SJP40



Brass Shower Support
SJP46



Ceiling Shower Round
61060



Ceiling Shower Square
61061



Shower Head with Spout
61062



Stainless Steel Ceiling Shower
61065



Stainless Steel Ceiling Shower
61066



Ceiling Shower Round
61067



Ceiling Shower Square
61068



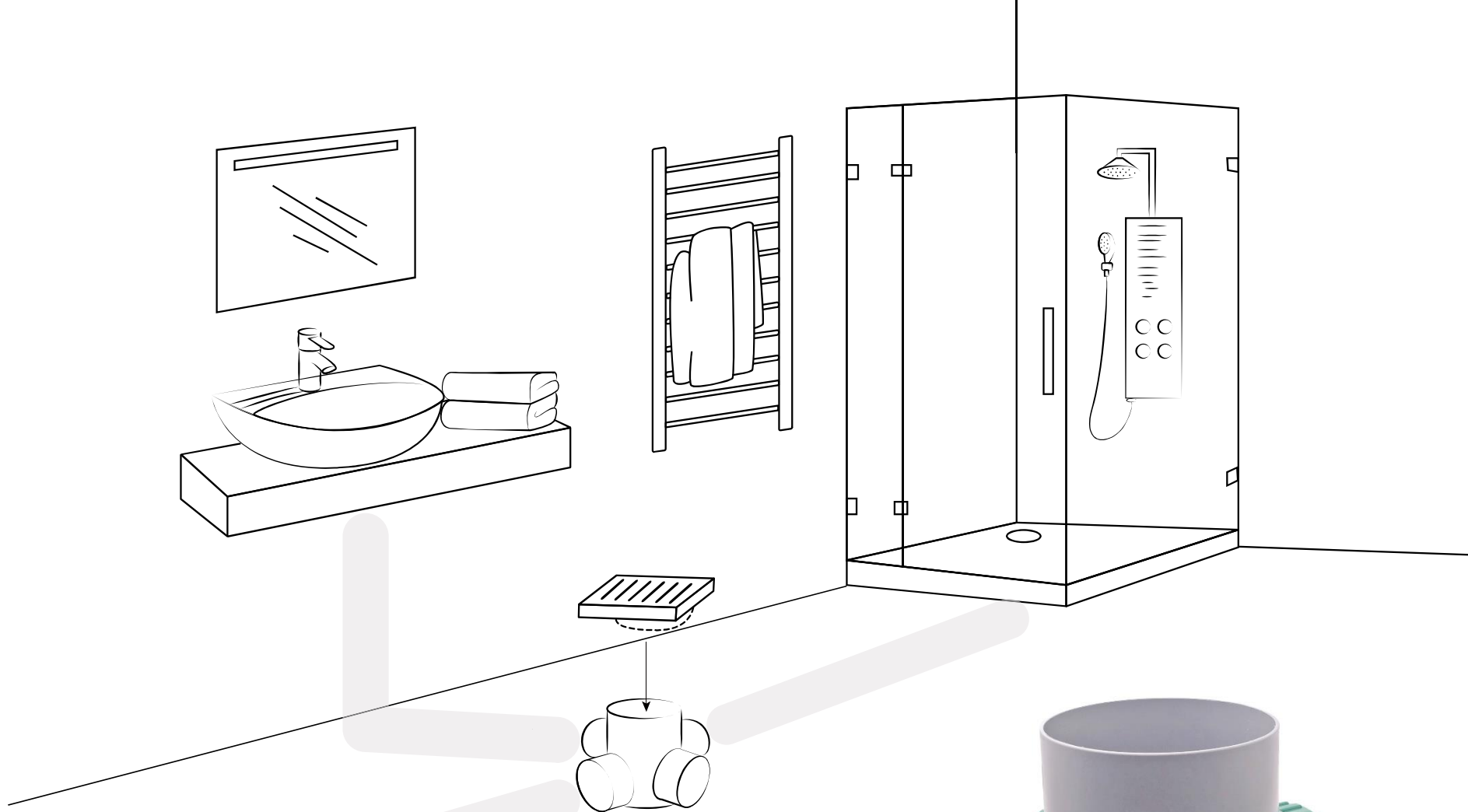
Brass Wall Arm Chromed
 $\Phi 20\text{mm} \times 35\text{cm}$
30515C



SUS Wall Arm Black
61201B



SUS Wall Arm
61204



**PP Collector Trap
with 3 Types of Covers**
33520





Side Fill Valve
1/2" + 3/8" Heads
30603



Side-Fill Cistern Set
1/2" + 3/8" Heads
30604



Side-Fill Cistern Set
3/8" Brass Head
30604

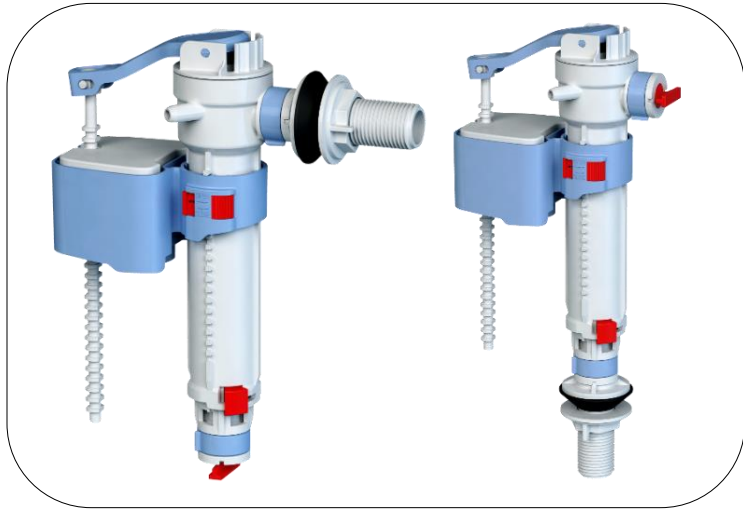


Bottom-Fill Valve
1/2" + 3/8" Heads
30607

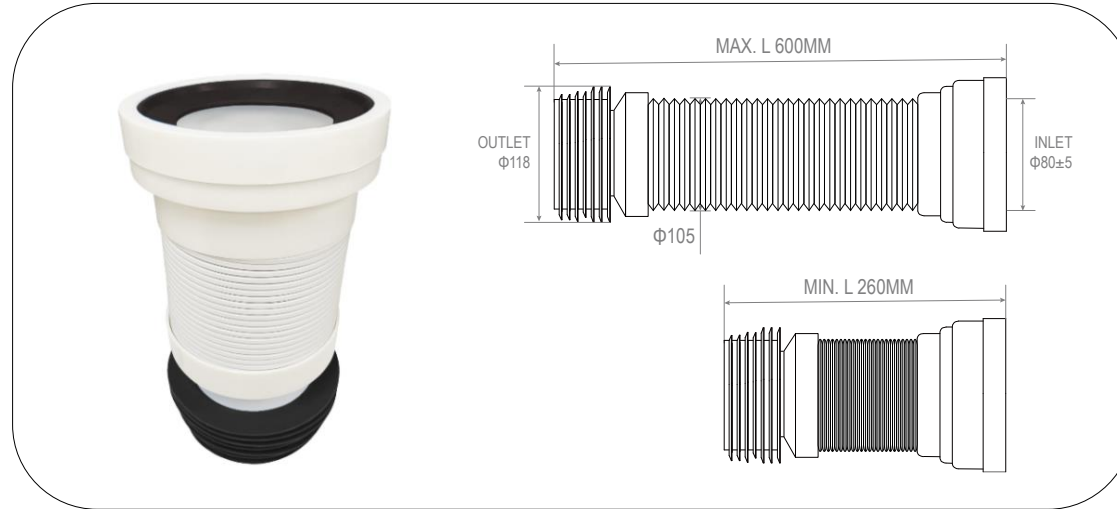


Bottom-Fill Cistern Set
1/2" + 3/8" Heads
30606

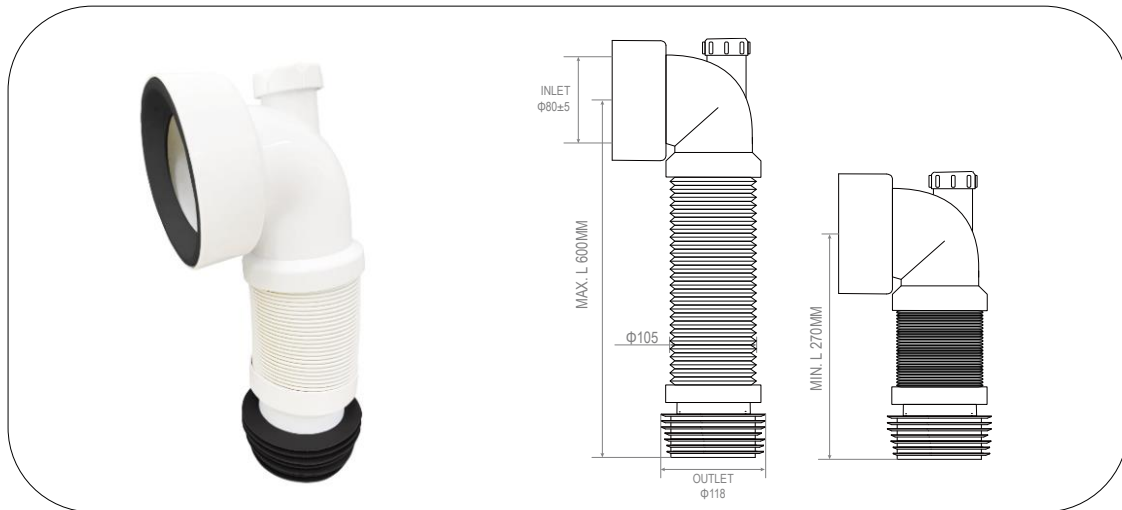




Fill Valve 2-in-1
30609

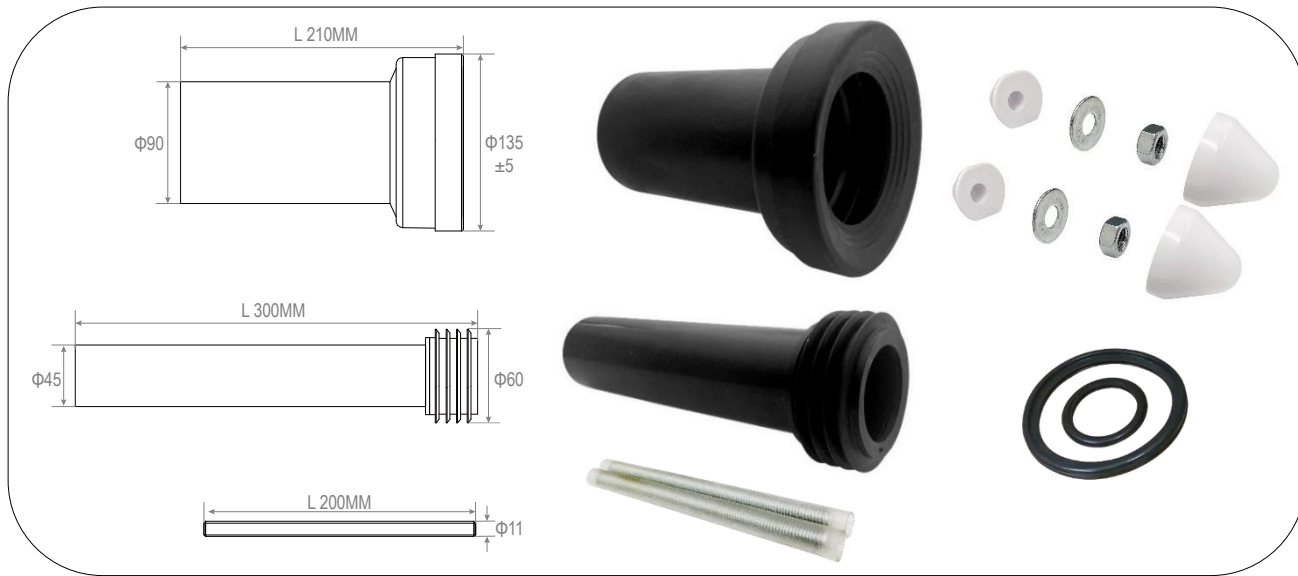


Extendable WC Pan Connector, Stainless Steel Wire Embedded
32002

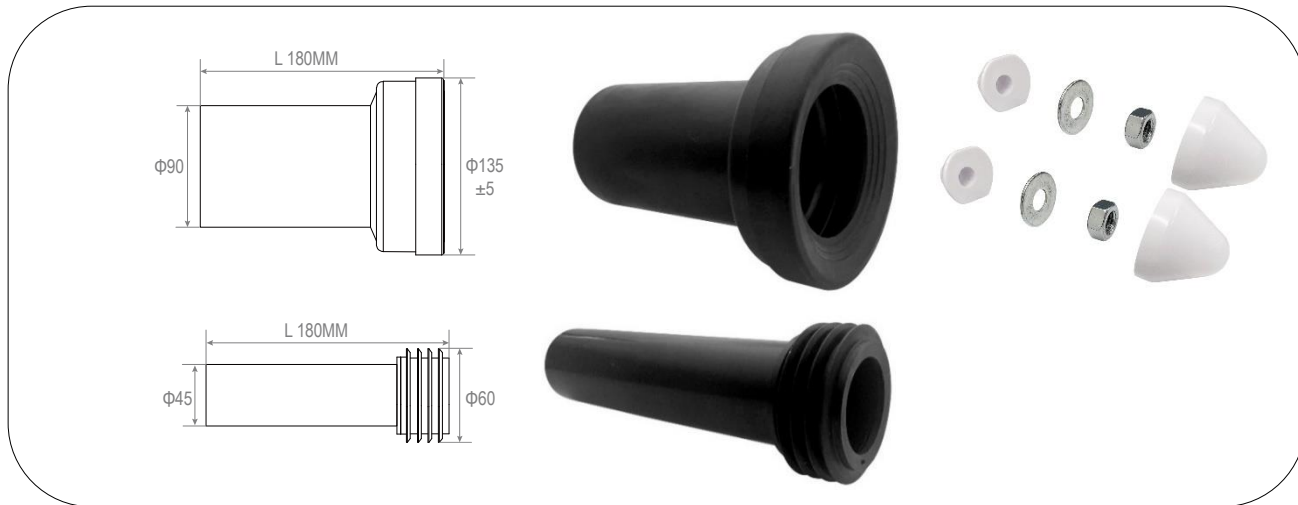


Extendable WC Pan Elbow Connector, Stainless Steel Wire Embedded
32510-3

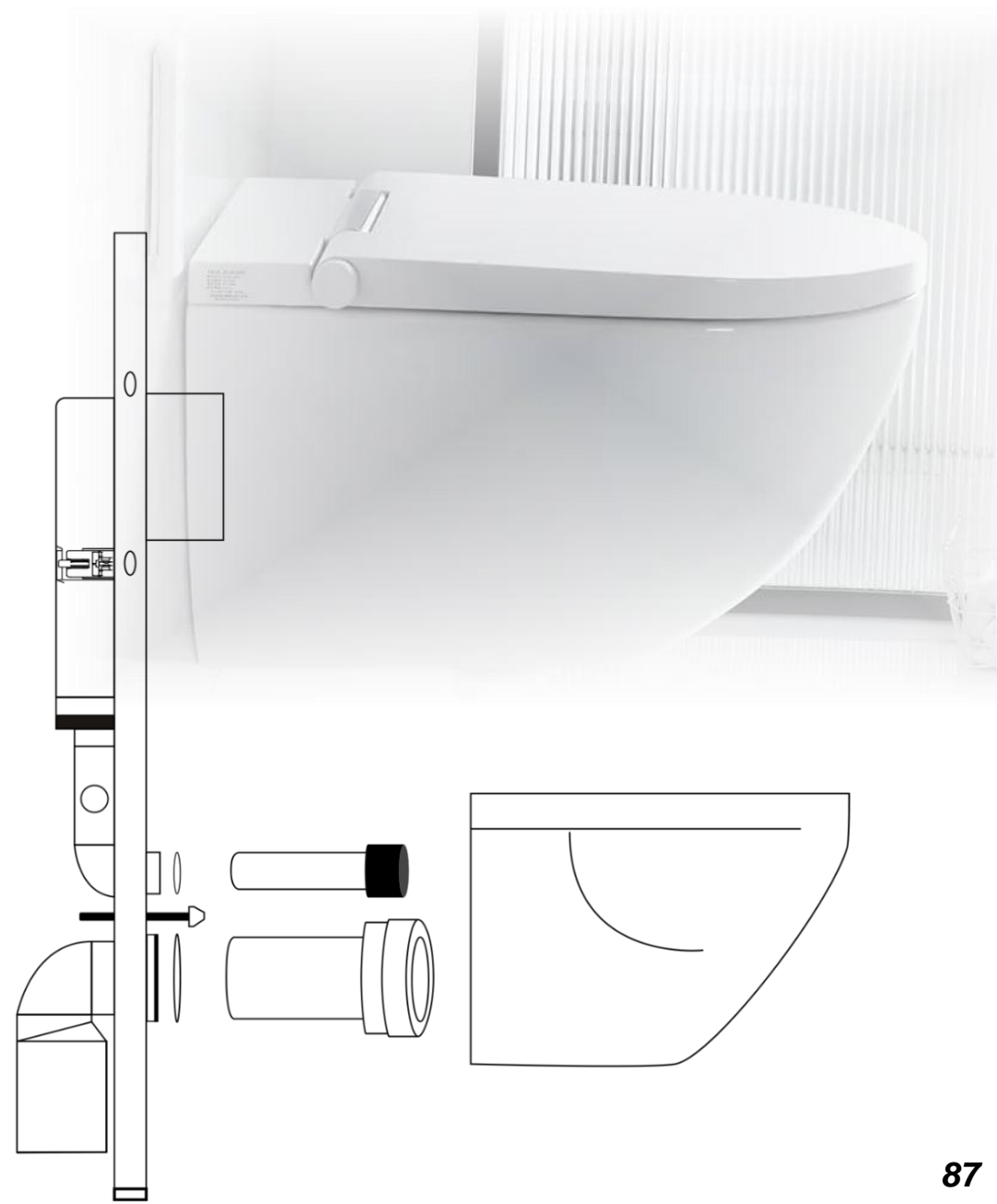


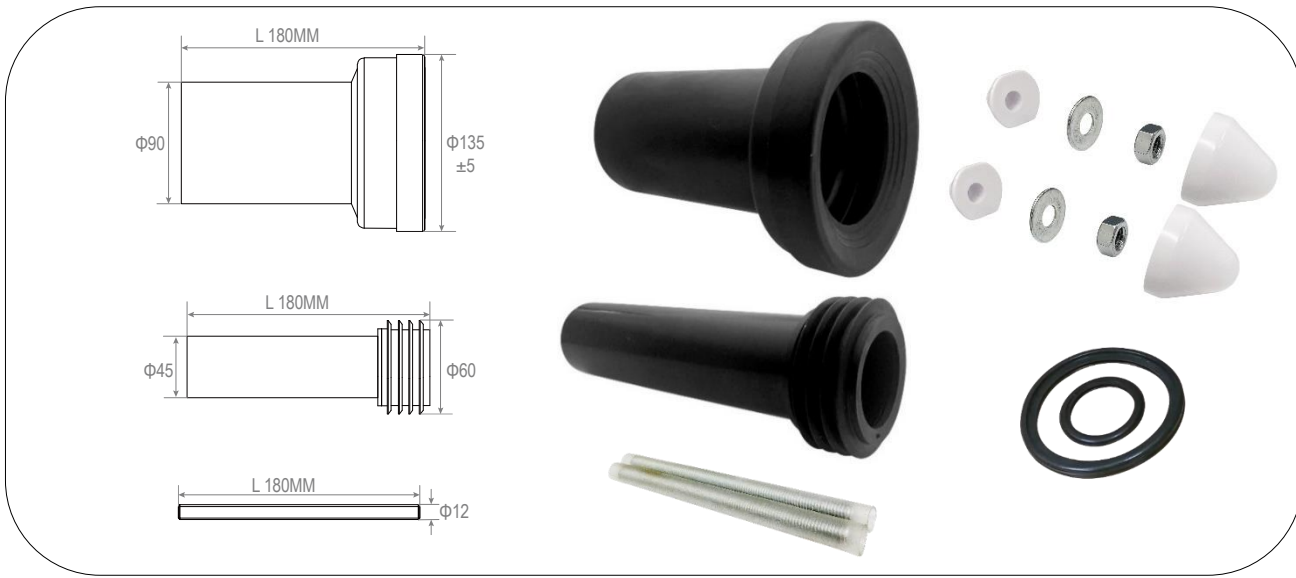


Wall-hung Cistern PP Inlet & Outlet Pipes
32600



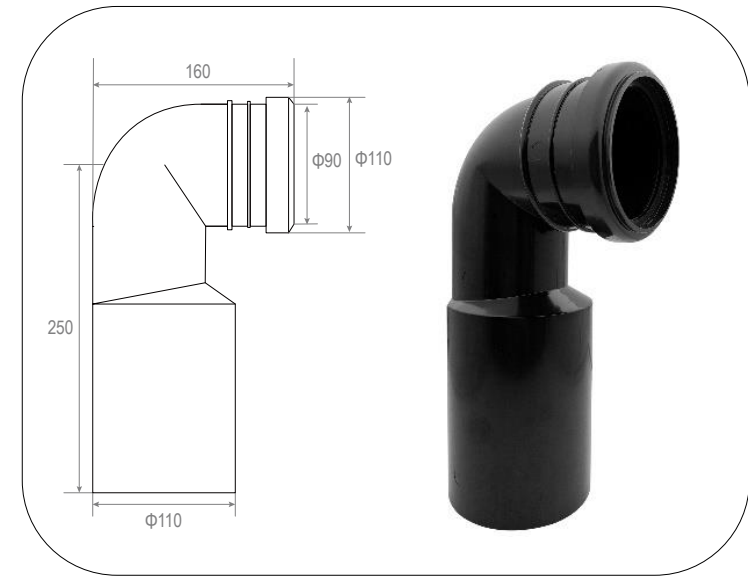
Wall-hung Cistern PP Inlet & Outlet Pipes
32600A





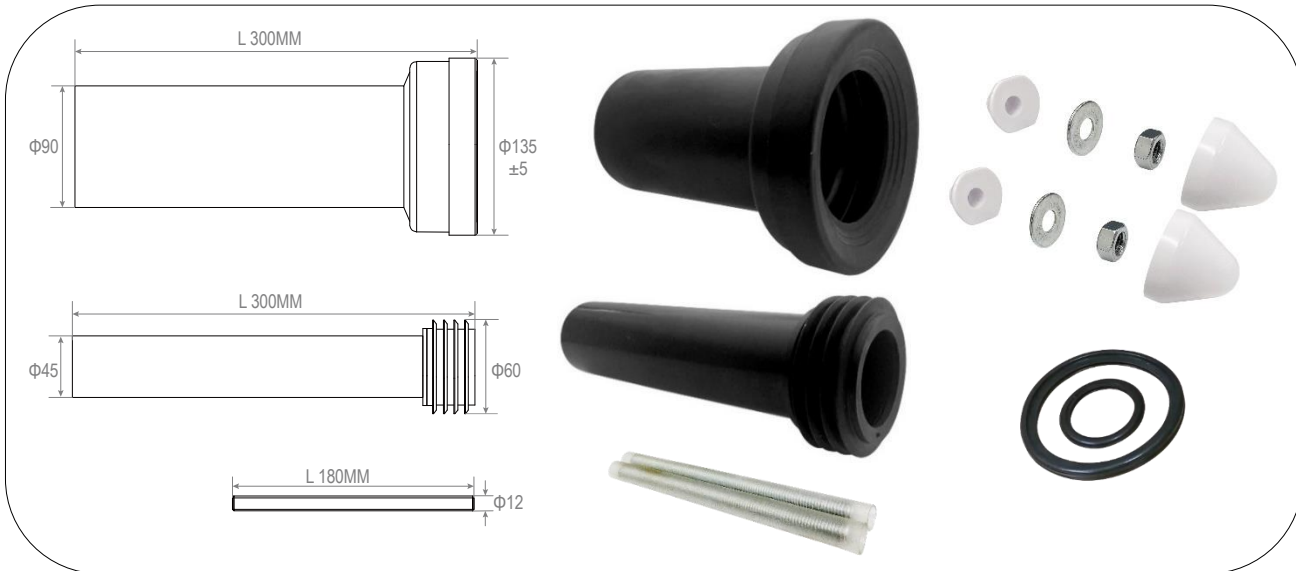
Wall-hung Cistern PP Inlet & Outlet Pipes

32604



PVC Waste Elbow Tube

32602



Wall-hung Cistern PP Inlet & Outlet Pipes

32605



HDPE Waste Elbow Tube

32603

OutDoor





**The glory of gardening:
hands in the dirt,
head in the sun,
heart with nature.**

**To nurture a garden
is to feed not just on the
body, but the soul.**

- Alfred Austin





Female Quick Adaptor

 2101  2101C

1/2" F	
3/4" F	



Female Quick Adaptor Set

 2101ST  2101STC

3/4" F + 3/4" MX 1/2" F
1" F + 1" MX 3/4" F



Hose Quick Connector

 2102  2102C

1/2"	Hose O.D.(mm) 17
3/4"	Hose O.D.(mm) 25




Hose Quick Connector With Stop

 2103  2103C

1/2"	Hose O.D.(mm) 17
3/4"	Hose O.D.(mm) 25



Hose Mender

 2104  2104C

1/2"	Hose O.D.(mm) 17
3/4"	Hose O.D.(mm) 25



Male Quick Adaptor

 2105  2105C

24MM(M) X 22MM(F)



Universal Quick Adaptor

 2106  2106C

15-22MM



3-way Nipple

 2107  2107C

1/2"	
------	--



Spray Nozzle

2108 2108C

1/2"	
------	--



2-way Nipple

2109 2109C

1/2"	
------	--



Male Quick Adaptor

2110 2110C

1/2"M	
3/4"M	



Garden Hose Nozzle

16116H

1/2"M	Φ13MM
3/4"M	Φ20MM
1"M	Φ25MM
1-1/4"M	Φ32MM
1-1/2"M	Φ39MM
2"M	Φ50MM
2-1/2"M	Φ70MM
3"M	Φ80MM
4"M	Φ101MM



Female Quick Adaptor

2101-PLK

ABS

3/4" F

1" F



Female Quick Adaptor Set

2101ST-PLK

ABS

3/4" F + 3/4" MX 1/2" F

1" F + 1" MX 3/4" F



Hose Quick Connector

2102-PLK

ABS

1/2"

3/4"



Hose Quick Connector With Stop

2103-PLK

ABS

1/2"

3/4"



Hose Mender

2104-PLK

ABS

1/2"

3/4"



Male Quick Adaptor

2110-PLK

ABS

1/2" M

3/4" M



Universal Quick Adaptor

2106-PLK

ABS

12-15MM



3-way Nipple

2107-PLK

ABS

1/2"



Female Quick Adaptor

2101-PLKCT

ABS+TPR

3/4" F

1" F



Female Quick Adaptor Set

2101ST-PLKCT

ABS+TPR

3/4" F + 3/4" MX 1/2" F

1" F + 1" MX 3/4" F



Hose Quick Connector

2102-PLKCT

ABS+TPR

1/2"

3/4"



Hose Quick Connector With Stop

2103-PLKCT

ABS+TPR

1/2"

3/4"



Hose Mender

2104-PLKCT

ABS+TPR

1/2"

3/4"



Spray Gun Set

24963

ABS

1/2"

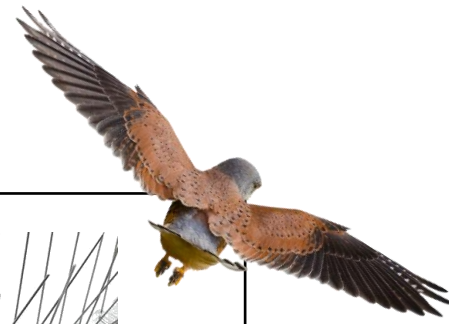
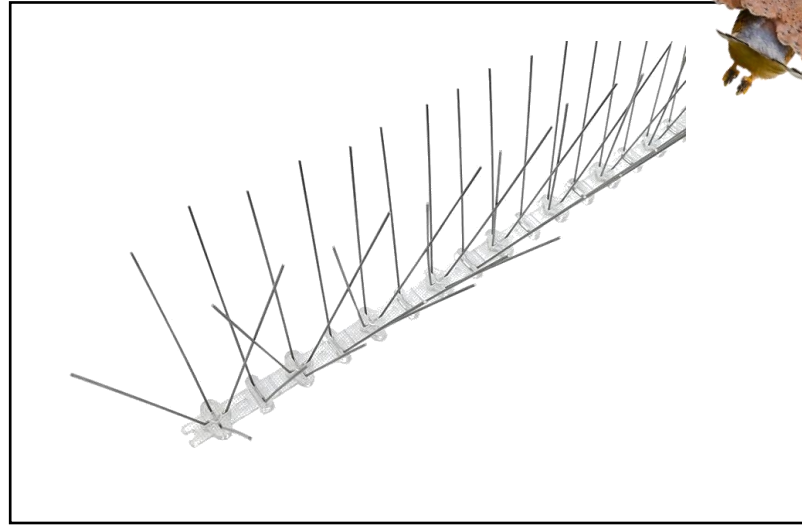


Spray Nozzle

24964

ABS+TPR

1/2"

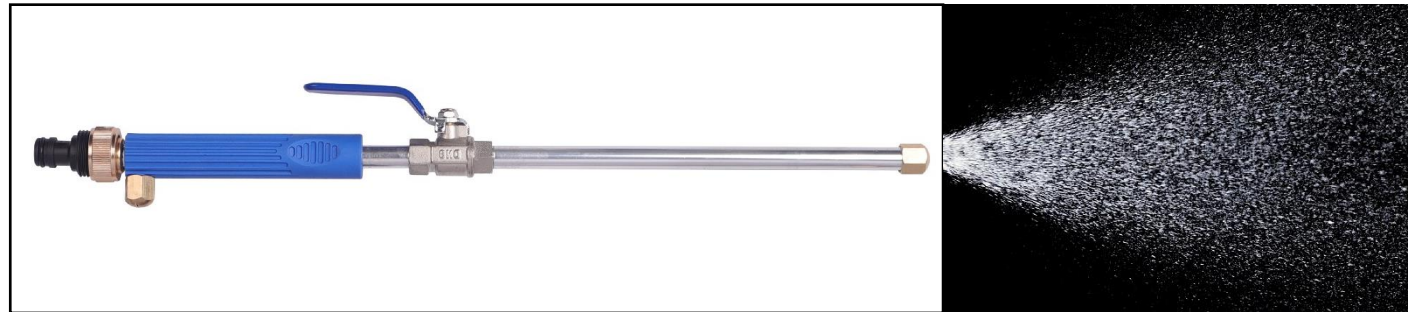


Bird Spikes
BSK01

50cmX2cm

Garden Nozzle Set
24966

45CM

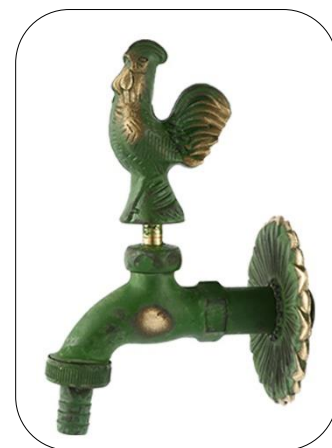




Art Bibcock 1/2"
48000AG



Art Bibcock 1/2"
48001AG



Art Bibcock 1/2"
48002AG



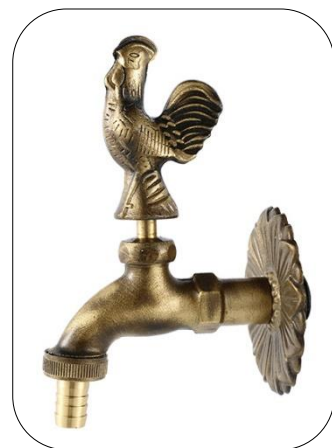
Art Bibcock 1/2"
48003AG



Art Bibcock 1/2"
48000AH



Art Bibcock 1/2"
48001AH



Art Bibcock 1/2"
48002AH



Art Bibcock 1/2"
48003AH



Art Bibcock 1/2"
48005AG



Art Bibcock 1/2"
48006AG



Art Bibcock 1/2"
48007AG



Art Bibcock 1/2"
48008AG



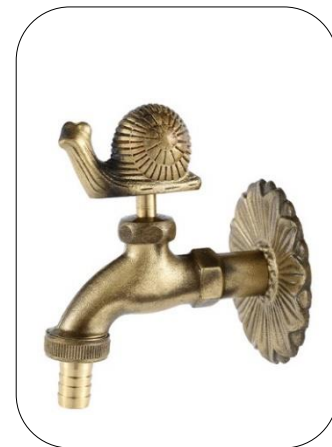
Art Bibcock 1/2"
48005AH



Art Bibcock 1/2"
48006AH



Art Bibcock 1/2"
48007AH



Art Bibcock 1/2"
48008AH



Art Bibcock 1/2"
48010AG



Art Bibcock 1/2"
48201AG



Art Bibcock 1/2"
48203AG



Art Bibcock 1/2"
48205AG



Art Bibcock 1/2"
48010AH



Art Bibcock 1/2"
48201AH



Art Bibcock 1/2"
48203AH



Art Bibcock 1/2"
48205AH



Art Bibcock 1/2"
48207AG



Art Bibcock 1/2"
48009A



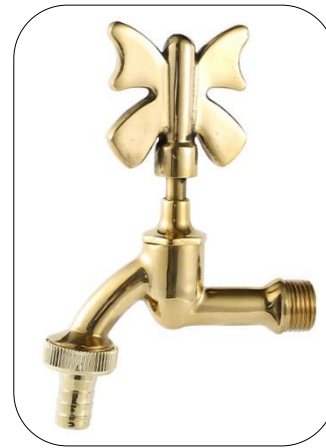
Art Bibcock 1/2"
48009C



Art Bibcock 1/2"
48100AG



Art Bibcock 1/2"
48207AH



Art Bibcock 1/2"
48009B



Art Bibcock 1/2"
48100A



Art Bibcock 1/2"
48100AH BLACK



Art Bibcock 1/2"
48101A



Art Bibcock 1/2"
48101AH BLACK



Art Bibcock 1/2"
48208



Outdoor Tap

22513C

1/4"



Outdoor Tap

22517C

1/2"

